

USB Charging Port Power Switch and Controller

 Check for Samples: [TPS2540](#), [TPS2540A](#), [TPS2541](#), [TPS2541A](#)

FEATURES

- Meets Battery Charging Specification BC1.2 for DCP and CDP
- Meets Chinese Telecommunications Industry Standard YD/T 1591-2009
- Supports Sleep-Mode Charging for Most Available Apple® Devices and/or BC1.2 Compliant Devices
- Compatible With USB 2.0 and 3.0 Power Switch Requirements
- 2.6-GHz Bandwidth USB 2.0 Data Switch
- 73-mΩ (typ.) High-Side MOSFET
- Adjustable Current Limit up to 2.8 A (typical)
- OUT Discharge Through CTLx=000 (TPS2540/40A) or DSC (TPS2541/41A) Input
- Longer Detach Detection Time (TPS2540A/41A) Supporting Additional Legacy Devices
- Available in 16-Pin QFN Package

APPLICATIONS

- USB Ports/Hubs
- Notebook PCs
- Universal Wall Charging Adapter

DESCRIPTION

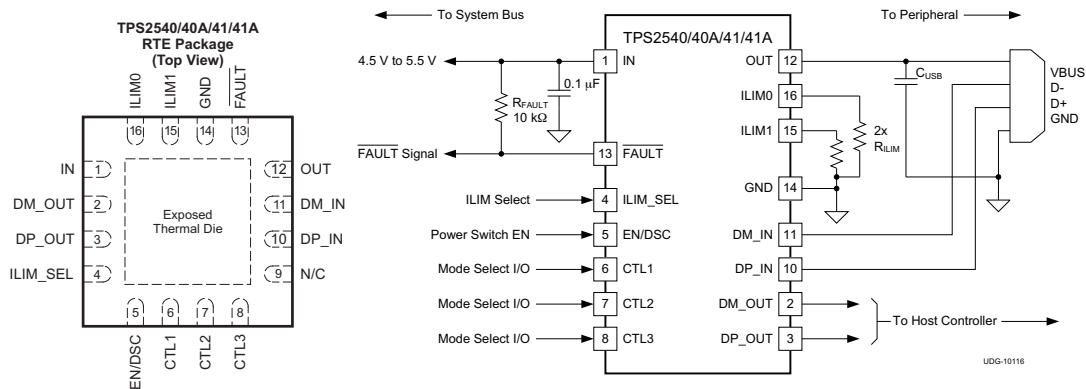
The TPS2540/40A and TPS2541/41A are a combination of current-limited USB port power switch with a USB 2.0 high-speed data line (D+/D-) switch and a USB charging port identification circuit. Applications include notebook PCs and other intelligent USB host devices. The wide bandwidth (2.6 GHz) data-line switch also features low capacitance and low on resistance, allowing signals to pass with minimum edge and phase distortion. The TPS2540/40A/41/41A monitors D+ and D-, providing the correct hand-shaking protocol with compliant client devices.

The TPS2540/40A/41/41A supports the following charging logic schemes:

- USB 2.0 BC1.2
- Chinese Telecom Standard YD/T 1591-2009
- Divider Mode, compliant with Apple devices such as iPod® and iPhone®

CTL1-CTL3 logic inputs are used to select one of the various charge modes provided by the TPS2540/40A and TPS2541/41A. These charge modes allow the host device to actively select between Dedicated Charging Port (DCP) (wall-adaptor emulation), Charging Downstream Port (CDP) (active USB 2.0 data communications with 1.5-A support), or Standard Downstream Port (SDP) USB 2.0 Mode (active USB 2.0 data communications with 500-mA support). The TPS2540/40A/41/41A also integrates an *auto-detect* feature that supports both DCP schemes for Battery Charging Specification (BC1.2) and the Divider Mode without the need for outside user interaction.

TPS2540/40A/41/41A RTE Package and Typical Application Diagram



Please be aware that an important notice concerning availability, standard warranty, and use in critical applications of Texas Instruments semiconductor products and disclaimers thereto appears at the end of this data sheet.

Apple, iPod, iPhone are registered trademarks of Apple Inc.



This integrated circuit can be damaged by ESD. Texas Instruments recommends that all integrated circuits be handled with appropriate precautions. Failure to observe proper handling and installation procedures can cause damage.

ESD damage can range from subtle performance degradation to complete device failure. Precision integrated circuits may be more susceptible to damage because very small parametric changes could cause the device not to meet its published specifications.

DESCRIPTION (CONT.)

The TPS2540A/41A auto detect mode also has a longer detach detection time, so that it can support certain unique non-compliant devices. The TPS2540/40A/41/41A power-distribution switch is intended for applications where heavy capacitive loads and short-circuits are likely to be encountered, incorporating a 73-mΩ, N-channel MOSFET in a single package. Constant-current mode is used when the output load exceeds the current-limit threshold. ILIM_SEL logic input selects one of two current-limit thresholds, each one being individually adjustable via an external resistor. Additional USB switch features include a de-glitched output fault reporting (FAULT), and a logic-level enable EN (TPS2540/40A) or OUT discharge control DSC (TPS2541/41A). With the TPS2540/40A, the mode “000” is used to force an output discharge.

PRODUCT INFORMATION⁽¹⁾

| T _A | FUNCTION | T _{DCPLow} ⁽²⁾ | PACKAGE | MARKING |
|----------------|------------------|------------------------------------|---------|---------|
| -40°C to 85°C | Enable | ≤0.9 s | QFN16 | 2540 |
| | Output Discharge | | | 2541 |
| | Enable | ≤9 s | | 2540A |
| | Output Discharge | | | 2541A |

(1) For the most current package and ordering information, see the Package Option Addendum at the end of this document, or visit the device product folder on www.ti.com.

(2) Low DP_IN period in DCP mode, see [Figure 31](#).

ABSOLUTE MAXIMUM RATINGS⁽¹⁾

over operating free-air temperature range, voltages are referenced to GND (unless otherwise noted)

| PARAMETER | | MIN | MAX | UNIT |
|--|---|--------------------|----------------------|------|
| Supply voltage range | IN | -0.3 | 7 | V |
| Input voltage range | EN (TPS2540/40A), DSC (TPS2541/41A), ILIM0, ILIM1, ILIM_SEL, CTL1, CTL2, CTL3 | -0.3 | 7 | |
| Voltage range | OUT, FAULT ⁽²⁾ | -0.3 | 7 | |
| Voltage range | IN to OUT | -7 | 7 | |
| Voltage range | DP_IN, DM_IN, DP_OUT, DM_OUT | -0.3 | (IN + 0.3) or 5.7 | |
| Input clamp current | DP_IN, DM_IN, DP_OUT, DM_OUT | | ±20 | mA |
| Continuous current in SDP or CDP mode | DP_IN to DP_OUT or DM_IN to DM_OUT | | ±100 | |
| Continuous current in BC1.2 DCP mode | DP_IN to DM_IN | | ±35 | |
| Continuous output current | I _{OUT} | Internally limited | | mA |
| Continuous output sink current | FAULT | | 25 | |
| Continuous output source current | ILIM0, ILIM1 | | 1 | |
| Continuous total power dissipation | | Internally limited | | kV |
| ESD rating, Human Body Model (HBM) | IN, ILIM_SEL, EN, DSC, CTL1, CTL2, CTL3, N/C, OUT, FAULT, GND, ILIM1, ILIM0 | | 2 | |
| | DP_IN, DM_IN, DP_OUT, DM_OUT | | 8 | |
| ESD rating, Charged Device Model (CDM) | | | 500 | V |
| Operating Junction temperature | T _J | Internally limited | | °C |
| Storage temperature range | T _{stg} | -65 | 150 | |

- (1) Stresses beyond those listed under "absolute maximum ratings" may cause permanent damage to the device. These are stress ratings only and functional operation of the device at these or any other conditions beyond those indicated under "recommended operating conditions" is not implied. Exposure to absolute-maximum-rated conditions for extended periods may affect device reliability.
- (2) Do not apply external voltage sources directly.

RECOMMENDED OPERATING CONDITIONS

over operating free-air temperature range (unless otherwise noted)

| PARAMETER | | MIN | NOM | MAX | UNIT |
|--------------------|--|------|-----|-----|------|
| V _{IN} | Input voltage, IN | 4.5 | | 5.5 | V |
| | Input voltage, logic-level inputs, (CTL1, CTL2, CTL3, EN (TPS2540/40A), DSC (TPS2541/41A), ILIM_SEL) | 0 | | 5.5 | |
| | Input voltage, data line inputs, (DP_IN, DM_IN, DP_OUT, DM_OUT) | | | 5.5 | |
| | Continuous current, data line inputs, (SDP or CDP mode, DP_IN to DP_OUT or DM_IN to DM_OUT) | | | ±30 | mA |
| | Continuous current, data line inputs, (BC1.2 DCP mode, DP_IN to DM_IN) | | | ±10 | |
| I _{OUT} | Continuous output current, OUT | 0 | | 2.5 | A |
| R _{ILIMx} | Current-limit set resistors, (ILIM0 to GND, ILIM1 to GND) | 16.9 | | 750 | kΩ |
| T _J | Operating virtual junction temperature | -40 | | 125 | °C |

THERMAL INFORMATION

| THERMAL METRIC ⁽¹⁾ | | TPS2540 TPS2540A TPS2541 TPS2541A | UNITS |
|-------------------------------|---|--|-------|
| | | RTE | |
| | | 16 PINS | |
| θ _{JA} | Junction-to-ambient thermal resistance ⁽²⁾ | 53.4 | °C/W |
| θ _{JCtop} | Junction-to-case (top) thermal resistance ⁽³⁾ | 51.4 | |
| θ _{JB} | Junction-to-board thermal resistance ⁽⁴⁾ | 17.2 | |
| ψ _{JT} | Junction-to-top characterization parameter ⁽⁵⁾ | 3.7 | |
| ψ _{JB} | Junction-to-board characterization parameter ⁽⁶⁾ | 20.7 | |
| θ _{JCbot} | Junction-to-case (bottom) thermal resistance ⁽⁷⁾ | 3.9 | |

- (1) For more information about traditional and new thermal metrics, see the *IC Package Thermal Metrics* application report, [SPRA953](#).
- (2) The junction-to-ambient thermal resistance under natural convection is obtained in a simulation on a JEDEC-standard, high-K board, as specified in JESD51-7, in an environment described in JESD51-2a.
- (3) The junction-to-case (top) thermal resistance is obtained by simulating a cold plate test on the package top. No specific JEDEC-standard test exists, but a close description can be found in the ANSI SEMI standard G30-88.
- (4) The junction-to-board thermal resistance is obtained by simulating in an environment with a ring cold plate fixture to control the PCB temperature, as described in JESD51-8.
- (5) The junction-to-top characterization parameter, ψ_{JT}, estimates the junction temperature of a device in a real system and is extracted from the simulation data for obtaining θ_{JA}, using a procedure described in JESD51-2a (sections 6 and 7).
- (6) The junction-to-board characterization parameter, ψ_{JB}, estimates the junction temperature of a device in a real system and is extracted from the simulation data for obtaining θ_{JA}, using a procedure described in JESD51-2a (sections 6 and 7).
- (7) The junction-to-case (bottom) thermal resistance is obtained by simulating a cold plate test on the exposed (power) pad. No specific JEDEC standard test exists, but a close description can be found in the ANSI SEMI standard G30-88.

ELECTRICAL CHARACTERISTICS

Conditions are $-40 \leq T_J \leq 125^\circ\text{C}$ unless otherwise noted. V_{EN} (if TPS2540 or TPS2540A) = V_{DSC} (if TPS2541 or TPS2541A) = $V_{IN} = 5\text{ V}$, $R_{FAULT} = 10\text{ k}\Omega$, $R_{ILIM0} = 210\text{ k}\Omega$, $R_{ILIM1} = 20\text{ k}\Omega$, $I_{LIM_SEL} = 0\text{ V}$, $CTL1 = CTL2 = \text{GND}$, $CTL3 = V_{IN}$ (TPS2540/40A) or $CTL3 = \text{GND}$ (TPS2541/41A), unless otherwise noted. Positive currents are into pins. Typical values are at 25°C . All voltages are with respect to GND unless otherwise noted.

| PARAMETER | | TEST CONDITIONS | MIN | TYP | MAX | UNIT | |
|--|---|---|------------------------------------|------|------|---------------|----|
| Power Switch | | | | | | | |
| $R_{DS(on)}$ | Static drain-source on-state resistance | $I_{OUT} = 2\text{ A}$, $V_{ILIM_SEL} = \text{Logic HI}$ | | 73 | 120 | m Ω | |
| | | $I_{OUT} = 100\text{ mA}$, $V_{ILIM_SEL} = \text{Logic LO}$ | | 73 | 120 | | |
| | | $-40^\circ\text{C} \leq T_A = T_J \leq 85^\circ\text{C}$, $I_{OUT} = 2\text{ A}$, $V_{ILIM_SEL} = \text{Logic HI}$ | | 73 | 105 | | |
| | | $T_A = T_J = 25^\circ\text{C}$, $I_{OUT} = 2\text{ A}$, $V_{ILIM_SEL} = \text{Logic HI}$ | | 73 | 84 | | |
| t_r | Rise time, output | $C_L = 1\text{ }\mu\text{F}$, $R_L = 100\text{ }\Omega$, (see Figure 27 , Figure 28) | | 1 | 1.5 | ms | |
| t_f | Fall time, output | $C_L = 1\text{ }\mu\text{F}$, $R_L = 100\text{ }\Omega$, (see Figure 27 , Figure 28) | 0.2 | | 0.5 | | |
| R_{DIS} | OUT discharge resistance | | 400 | 500 | 630 | Ω | |
| I_{REV} | Reverse leakage current | $V_{OUT} = 5.5\text{ V}$, $V_{IN} = V_{EN} = 0\text{ V}$, $T_J = 25^\circ\text{C}$ | | 0 | 1 | μA | |
| Enable Input EN (TPS2540/40A), Output Discharge Input DSC (TPS2541/41A) | | | | | | | |
| V_{EN} | Enable pin turn on/off threshold, falling | | 0.9 | 1.1 | 1.65 | V | |
| V_{EN_HYS} | EN Hysteresis | | | 200 | | mV | |
| I_{EN} | Input current | $V_{EN} = 0\text{ V}$ or 5.5 V | -0.5 | | 0.5 | μA | |
| V_{DSC} | DSC pin turn on/off threshold, falling | | 0.9 | 1.1 | 1.65 | V | |
| V_{DSC_HYS} | DSC Hysteresis | | | 200 | | mV | |
| I_{DSC} | Input current | $V_{DSC} = 0\text{ V}$ or 5.5 V | -0.5 | | 0.5 | μA | |
| t_{ON} | Turn-on time | $C_L = 1\text{ }\mu\text{F}$, $R_L = 100\text{ }\Omega$ (see Figure 27 , Figure 29) | | 3.4 | 5 | ms | |
| t_{OFF} | Turn-off time | $C_L = 1\text{ }\mu\text{F}$, $R_L = 100\text{ }\Omega$ (see Figure 27 , Figure 29) | | 1.7 | 3 | | |
| Current Limit | | | | | | | |
| V_{ILIM_SEL} | I_{LIM_SEL} turn on/off threshold, falling | | 0.9 | 1.1 | 1.65 | V | |
| V_{ILIM_HYS} | I_{LIM_SEL} Hysteresis | | | 200 | | mV | |
| | I_{LIM_SEL} input current | $V_{ILIM_SEL} = 0\text{ V}$ or 5.5 V | -0.5 | | 0.5 | μA | |
| I_{SHORT} | Maximum DC output current from IN to OUT | $V_{ILIM_SEL} = \text{Logic LO}$ | $R_{ILIM0} = 210\text{ k}\Omega$ | 185 | 230 | 265 | mA |
| | | | $R_{ILIM0} = 100\text{ k}\Omega$ | 420 | 480 | 530 | |
| | | $V_{ILIM_SEL} = \text{Logic HI}$ | $R_{ILIM1} = 20\text{ k}\Omega$ | 2150 | 2430 | 2650 | |
| | | | $R_{ILIM1} = 16.9\text{ k}\Omega$ | 2550 | 2840 | 3100 | |
| | | $V_{ILIM_SEL} = \text{Logic LO}$ | $R_{ILIM0} = 698\text{ k}\Omega$ | 25 | 55 | 85 | |
| | | $-40 \leq T_J \leq 85^\circ\text{C}$ | | | | | |
| t_{IOS} | Response time to short-circuit | $V_{IN} = 5.0\text{ V}$ (see Figure 30) | | 1.5 | | μs | |
| Supply Current | | | | | | | |
| I_{CCL} | Supply current, switch disabled | $V_{EN} = V_{DSC} = 0\text{ V}$, OUT grounded, $-40 \leq T_J \leq 85^\circ\text{C}$ | | 0.1 | 2 | μA | |
| I_{CCH} | Supply current, operating | $V_{EN} = V_{DSC} = V_{IN}$ | $V_{ILIM_SEL} = \text{Logic HI}$ | 150 | 185 | | |
| | | | $V_{ILIM_SEL} = \text{Logic LOW}$ | 130 | 170 | | |

ELECTRICAL CHARACTERISTICS (continued)

Conditions are $-40 \leq T_J \leq 125^\circ\text{C}$ unless otherwise noted. V_{EN} (if TPS2540 or TPS2540A) = V_{DSC} (if TPS2541 or TPS2541A) = $V_{IN} = 5\text{ V}$, $R_{FAULT} = 10\text{ k}\Omega$, $R_{LIM0} = 210\text{ k}\Omega$, $R_{LIM1} = 20\text{ k}\Omega$, $I_{LIM_SEL} = 0\text{ V}$, $CTL1 = CTL2 = \text{GND}$, $CTL3 = V_{IN}$ (TPS2540/40A) or $CTL3 = \text{GND}$ (TPS2541/41A), unless otherwise noted. Positive currents are into pins. Typical values are at 25°C . All voltages are with respect to GND unless otherwise noted.

| PARAMETER | | TEST CONDITIONS | MIN | TYP | MAX | UNIT |
|-------------------------------------|--|---|------|------|------|------------------|
| Undervoltage Lockout | | | | | | |
| V_{UVLO} | Low-level input voltage, I_N | V_{IN} rising | 3.9 | 4.1 | 4.3 | V |
| | Hysteresis, I_N | | | 100 | | mV |
| FAULT | | | | | | |
| | Output low voltage, $\overline{\text{FAULT}}$ | $I_{\overline{\text{FAULT}}} = 1\text{ mA}$ | | | 100 | mV |
| | Off-state leakage | $V_{\overline{\text{FAULT}}} = 5.5\text{ V}$ | | | 1 | μA |
| | $\overline{\text{FAULT}}$ deglitch | $\overline{\text{FAULT}}$ assertion or de-assertion due to over-current condition | 5 | 8.5 | 12 | ms |
| CTLx Inputs | | | | | | |
| V_{CTL} | CTLx pins turn on/off threshold, falling | | 0.9 | 1.1 | 1.65 | V |
| V_{CTL_HYS} | CTLx hysteresis | | | 200 | | mV |
| | Input current | $V_{CTL} = 0\text{ V}$ or 5.5 V | -0.5 | | 0.5 | μA |
| Thermal Shutdown | | | | | | |
| | Thermal shutdown threshold | | 155 | | | $^\circ\text{C}$ |
| | Thermal shutdown threshold in current-limit | | 135 | | | |
| | Hysteresis | | | 10 | | |
| High-Bandwidth Analog Switch | | | | | | |
| R_{HS_ON} | On resistance DP/DM high-speed switch | $V_{DP/DM_OUT} = 0\text{ V}$, $I_{DP/DM_IN} = +30\text{ mA}$ | | 2 | 4 | Ω |
| | | $V_{DP/DM_OUT} = 2.4\text{ V}$, $I_{DP/DM_IN} = -15\text{ mA}$ | | 3 | 6 | |
| ΔR_{HS_ON} | On resistance match between channels DP/DM switch | $V_{DP/DM_OUT} = 0\text{ V}$, $I_{DP/DM_IN} = +30\text{ mA}$ | | 0.05 | 0.15 | Ω |
| | | $V_{DP/DM_OUT} = 2.4\text{ V}$, $I_{DP/DM_IN} = -15\text{ mA}$ | | 0.05 | 0.15 | |
| C_{IO_OFF} | DP/DM off state capacitance ⁽¹⁾ | $f = 1\text{ MHz}$, switch off | | 3 | 3.6 | pF |
| C_{IO_ON} | DP/DM on state capacitance ⁽²⁾ | $f = 1\text{ MHz}$, switch on | | 5.4 | 6.2 | |
| O_{IRR} | Off state isolation | $R_L = 50\ \Omega$, $f = 250\text{ MHz}$, $-40 \leq T_J \leq 125^\circ\text{C}$ | | 33 | | dB |
| X_{TALK} | On-state cross channel isolation | $R_L = 50\ \Omega$, $f = 250\text{ MHz}$, $-40 \leq T_J \leq 125^\circ\text{C}$ | | 52 | | |
| I_{OFF} | Off state leakage | $V_{DM_IN} = V_{DP_IN} = 3.6\text{ V}$, $V_{DM_OUT} = V_{DP_OUT} = 0\text{ V}$ | | 0.1 | 1.5 | μA |
| BW | Bandwidth (-3 dB) | $R_L = 50\ \Omega$ | | 2.6 | | GHz |
| t_{pd} | Propagation delay | | | 0.25 | | ns |
| t_{SK} | Skew between opposite transitions of the same port ($t_{PHL} - t_{PLH}$) | | | 0.1 | 0.2 | |

(1) The resistance in series with this parasitic capacitance to GND is typically $250\ \Omega$.

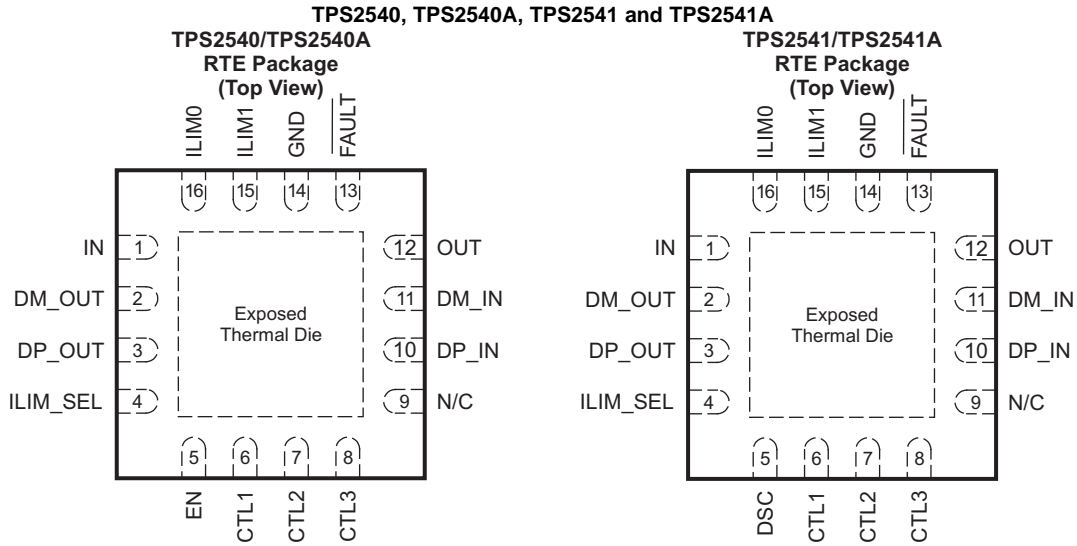
(2) The resistance in series with this parasitic capacitance to GND is typically $150\ \Omega$.

ELECTRICAL CHARACTERISTICS (continued)

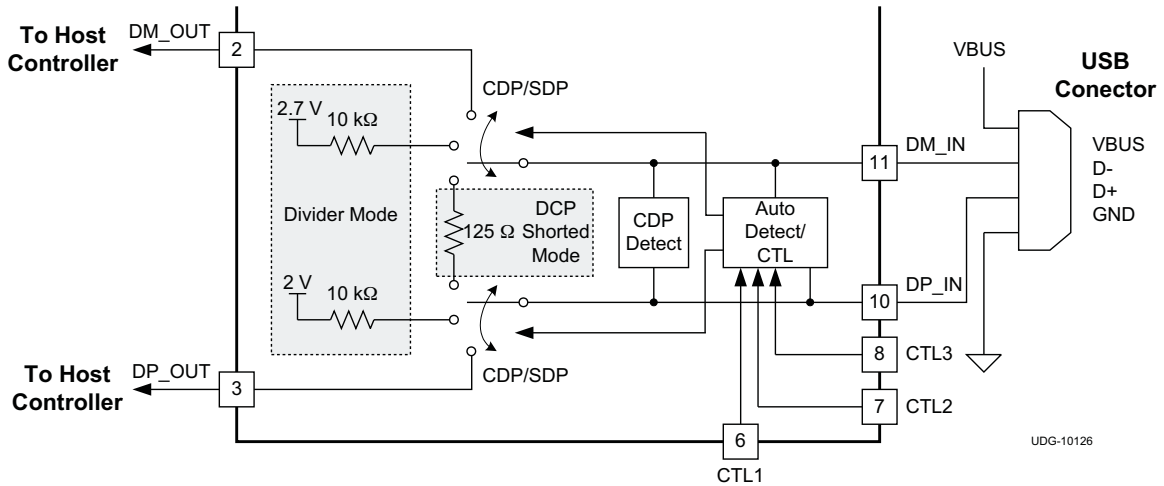
Conditions are $-40 \leq T_j \leq 125^\circ\text{C}$ unless otherwise noted. V_{EN} (if TPS2540 or TPS2540A) = V_{DSC} (if TPS2541 or TPS2541A) = $V_{IN} = 5\text{ V}$, $R_{FAULT} = 10\text{ k}\Omega$, $R_{ILIM0} = 210\text{ k}\Omega$, $R_{ILIM1} = 20\text{ k}\Omega$, $I_{LIM_SEL} = 0\text{ V}$, $CTL1 = CTL2 = \text{GND}$, $CTL3 = V_{IN}$ (TPS2540/40A) or $CTL3 = \text{GND}$ (TPS2541/41A), unless otherwise noted. Positive currents are into pins. Typical values are at 25°C . All voltages are with respect to GND unless otherwise noted.

| PARAMETER | | TEST CONDITIONS | MIN | TYP | MAX | UNIT |
|---|---|--|------|-----|------|---------------|
| DCP Shorted Mode Charger Interface | | | | | | |
| R_{DPM_short} | DP_IN/DM_IN shorting resistance | CTLx configured for DCP BC1.2 | | 125 | 200 | Ω |
| R_{DCHG_PW} | Discharge resistance DM_IN and DP_IN to GND | CTLx configured for DCP BC1.2 | 2 | 3.2 | 6 | M Ω |
| Divider Mode Charger Interface | | | | | | |
| V_{DP_AM} | DP_IN output voltage | CTLx configured for divider mode | 1.9 | 2 | 2.1 | V |
| V_{DM_AM} | DM_IN output voltage | | 2.57 | 2.7 | 2.84 | |
| Z_{OUT_DP} | DP_IN output impedance | | 8 | 10 | 12.5 | k Ω |
| Z_{OUT_DM} | DM_IN output impedance | | 8 | 10 | 12.5 | |
| CDP Interface | | | | | | |
| V_{DM_SRC} | Voltage source on DM_IN for CDP detect | $V_{DP_IN} = 0.6\text{ V}$, CTLx configured for CDP | 0.5 | 0.6 | 0.7 | V |
| V_{DAT_REF} | DP_IN rising voltage threshold to activate V_{DM_SRC} | $I_{DM_IN} = -250\text{ }\mu\text{A}$, CTLx configured for CDP | 0.25 | | 0.4 | |
| | V_{DAT_REF} hysteresis | | 50 | | | mV |
| V_{LGC_SRC} | DP_IN rising voltage threshold to deactivate V_{DM_SRC} | | 0.8 | | 1 | V |
| | V_{LGC_SRC} hysteresis | | 100 | | | mV |
| I_{DP_SINK} | DP_IN sink current | $0.4\text{ V} \leq V_{DP_IN} \leq 0.8\text{ V}$, CTLx configured for CDP operation | 50 | | 150 | μA |
| Timings | | | | | | |
| t_{VDMSRC_EN} | DM_IN voltage source enable time, CDP mode | From $V_{DP_IN} = 0 \rightarrow 0.6\text{ V}$ to $V_{DM_IN} = V_{DM_SRC}$, CTLx configured for CDP | 1 | | 10 | ms |
| t_{VDMSRC_DIS} | DM_IN voltage source disable time, CDP mode | From $V_{DP_IN} = 0.6\text{ V} \rightarrow 0\text{ V}$ to $V_{DM_IN} = 0\text{ V}$, CTLx configured for CDP | | | 10 | |
| t_{VBUS_REAPP} | Time for OUT to be reapplied after V_{OUT} falls below 0.7 V during discharge | Any transition to and from CDP, or to and from SDP. Also during Auto-detect to shorted mode. | 200 | | 500 | |
| Timing Requirements | | | | | | |
| $t_{SLVD_CON_P}$ | Session valid (IN high) to V_{DP_SRC} in DCP mode | TPS2540/TPS2541 | | | 1 | s |
| t_{DCPLOW} | Low DP_IN period in DCP mode | When VBUS is high, (TPS2540, TPS2541) | | | 0.9 | |
| | | When VBUS is high, (TPS2540A, TPS2541A) | | | 9 | |

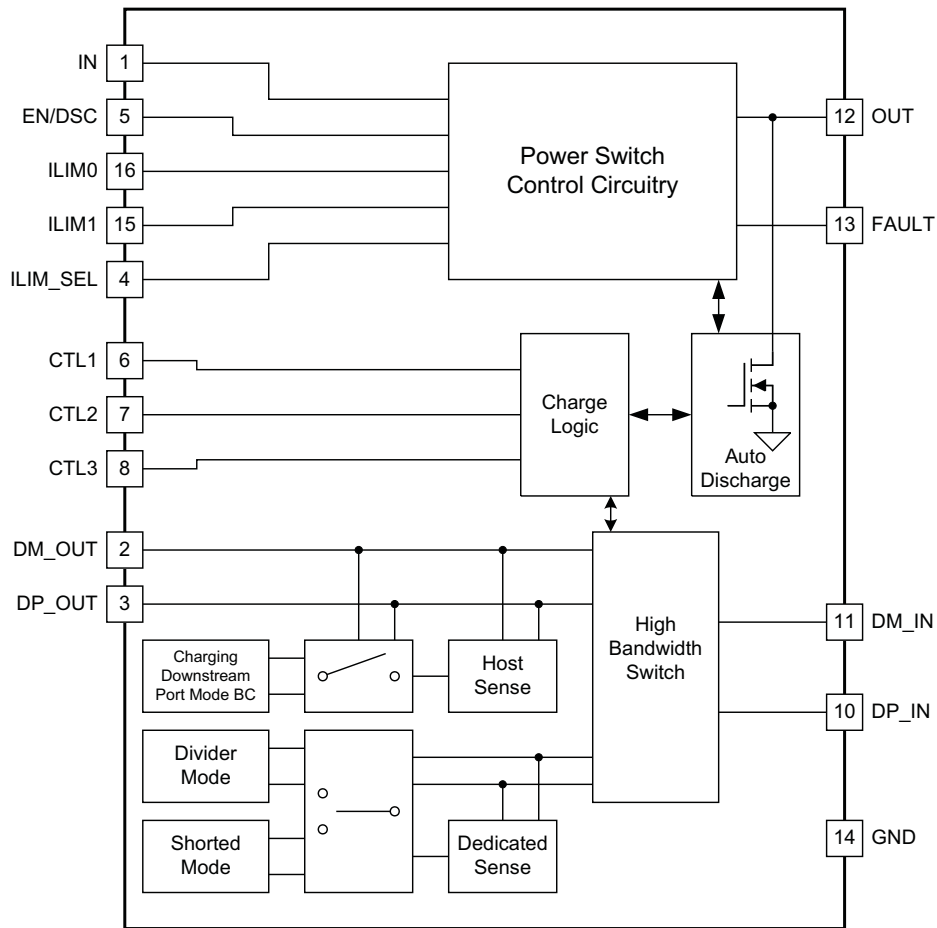
DEVICE INFORMATION



Detection Block Diagram



TPS2540/40A/41/41A Top-Level Functional Block Diagram



UDG-10125

PIN DESCRIPTIONS

Pin Descriptions

| NAME | PIN | I/O | DESCRIPTION |
|--|-----|-----|--|
| Power Switch | | | |
| IN | 1 | PWR | Input voltage; connect a 0.1- μ F or greater ceramic capacitor from IN to GND as close to the device as possible. |
| OUT | 12 | PWR | Power-switch output. |
| GND | 14 | PWR | Ground connection; should be connected externally to Power PAD. |
| POWERPAD | N/A | | Internally connected to GND; used to heat-sink the part to the circuit board traces. Connect to GND plane. |
| Current-Limit Thresholds and Indication | | | |
| ILIM0 | 16 | I | External resistor used to set current-limit threshold when ILIM_SEL is LO; recommended $16.9\text{ k}\Omega \leq R_{ILIM} \leq 750\text{ k}\Omega$; |
| ILIM1 | 15 | I | External resistor used to set current-limit threshold when ILIM_SEL is HI; recommended $16.9\text{ k}\Omega \leq R_{ILIM} \leq 750\text{ k}\Omega$; |
| ILIM_SEL | 4 | I | Logic-level input signal used to dynamically change power switch current-limit threshold; logic LO selects ILIM0, logic HI selects ILIM1. |
| $\overline{\text{FAULT}}$ | 13 | O | Active-low open-drain output, asserted during over-temperature or current limit conditions. |
| Input Logic Control Signals | | | |
| EN, DSC | 5 | I | Logic-level control input for turning the power switch and the signal switches on/off. TPS2540/40A: When EN is low, the device is disabled, the signal and power switches are OFF. TPS2541/41A: When DSC is low, the device is disabled, the signal and power switches are OFF and the output (OUT) capacitor is discharged. |
| CTL1 | 6 | I | Logic-level control inputs for controlling the charging mode and the signal switches. The TPS2540/40A and TPS2541/41A use different control line truth tables. With the TPS2540/40A, the "000" configuration is used to force a discharge of the output (OUT) capacitor. |
| CTL2 | 7 | I | |
| CTL3 | 8 | I | |
| D+/D- Data Line Signals | | | |
| DM_IN | 11 | I/O | D- data line to connector, input/output used for hand-shaking with portable equipment. |
| DP_IN | 10 | I/O | D+ data line to connector, input/output used for hand-shaking with portable equipment. |
| DM_OUT | 2 | I/O | D- data line to USB host controller. |
| DP_OUT | 3 | I/O | D+ data line to USB host controller. |
| N/C | 9 | | No connect pin. Can be grounded or left floating. |

TYPICAL CHARACTERISTICS

IN UVLO RISING
VS
TEMPERATURE

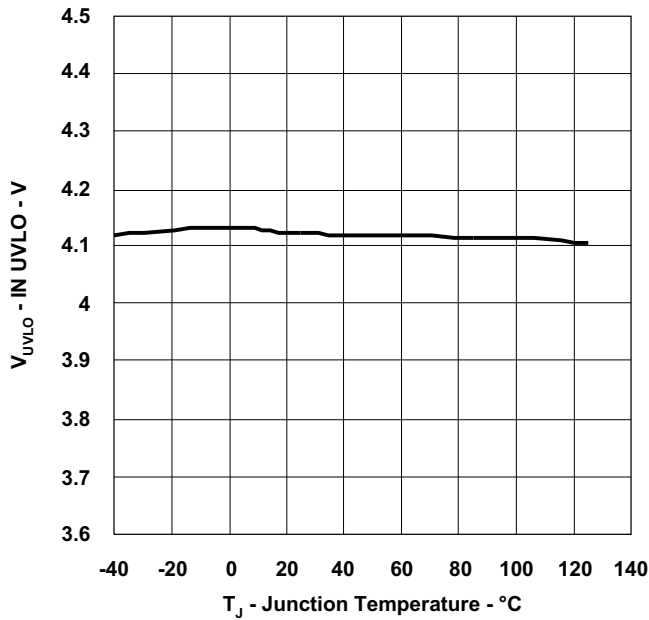


Figure 1.

SUPPLY CURRENT - DISABLED
VS
TEMPERATURE

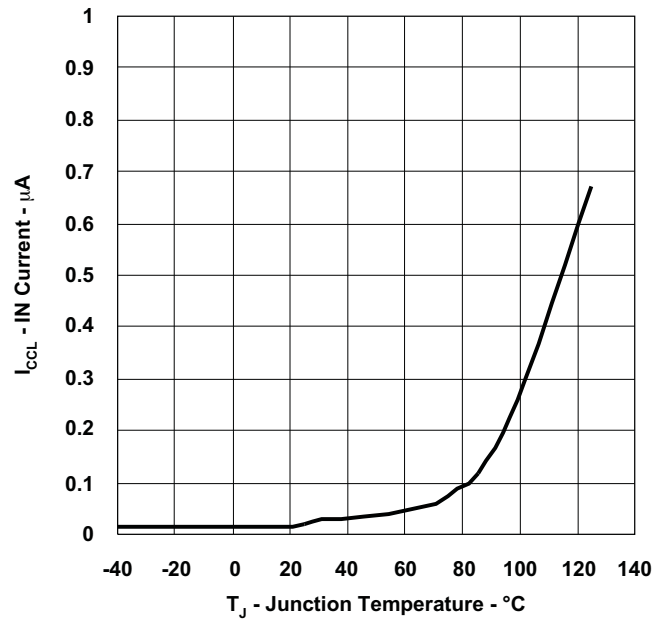


Figure 2.

SUPPLY CURRENT - SDP or DCP BC
VS
TEMPERATURE

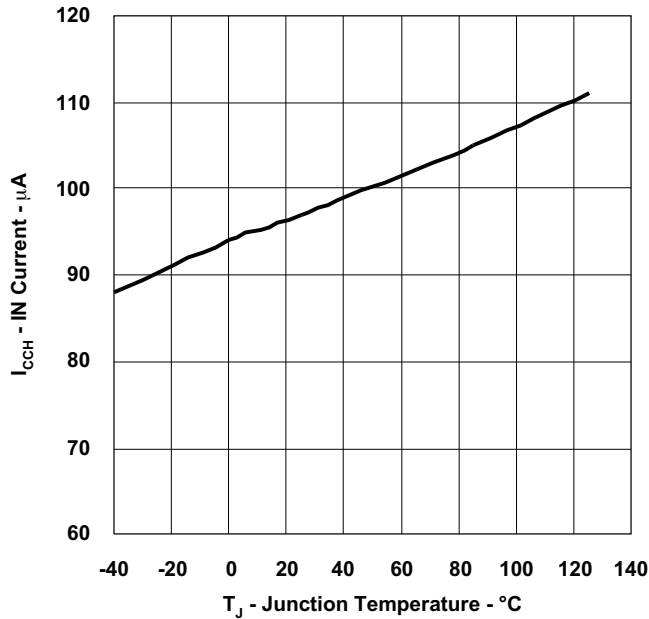


Figure 3.

SUPPLY CURRENT - AUTO-DETECT
VS
TEMPERATURE

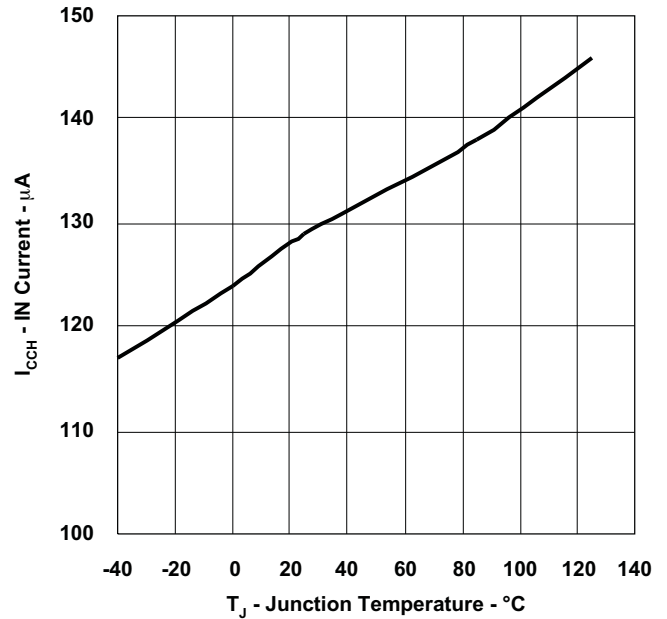


Figure 4.

TYPICAL CHARACTERISTICS (continued)

**SUPPLY CURRENT - CDP or DIVIDER MODE
vs
TEMPERATURE**

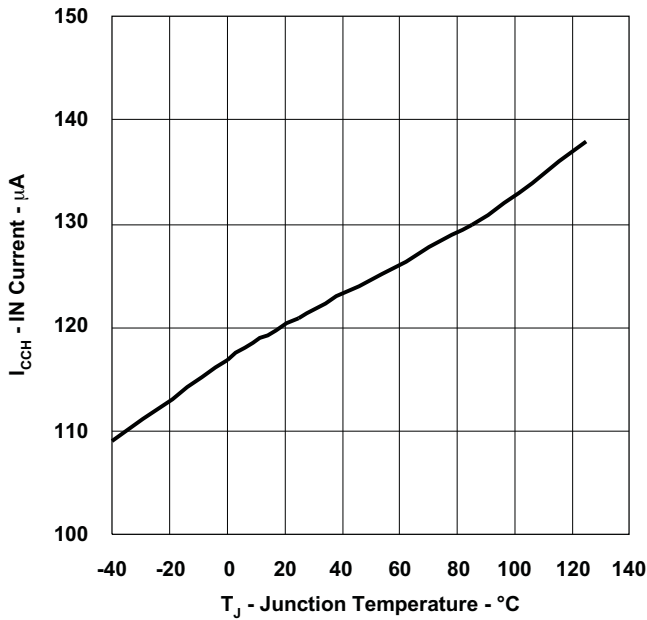


Figure 5.

**CURRENT LIMIT
vs
CURRENT LIMIT RESISTANCE**

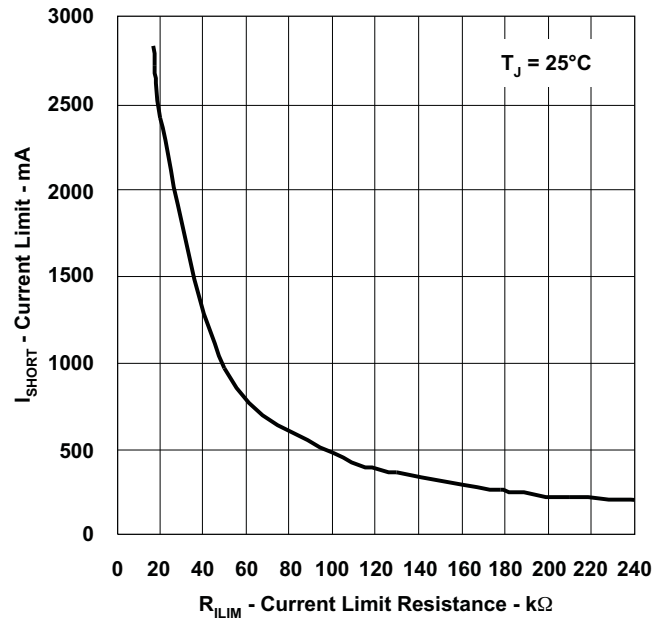


Figure 6.

**CURRENT LIMIT
vs
TEMPERATURE**

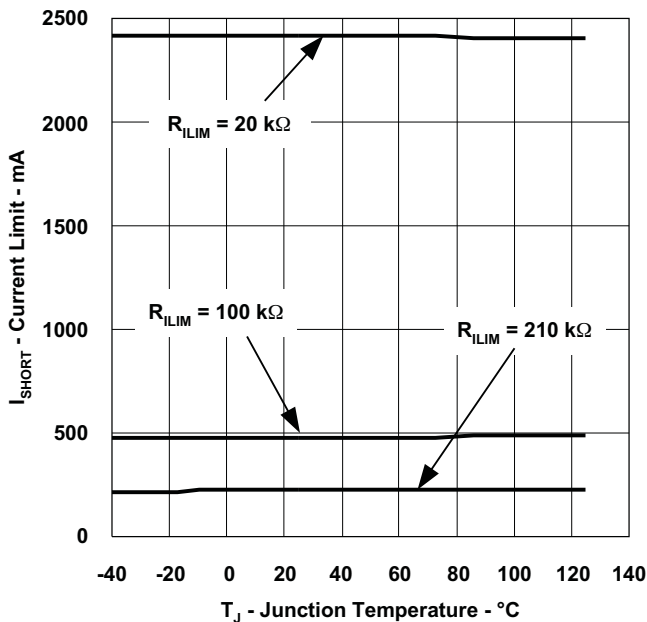


Figure 7.

**POWER SWITCH ON-RESISTANCE
vs
TEMPERATURE**

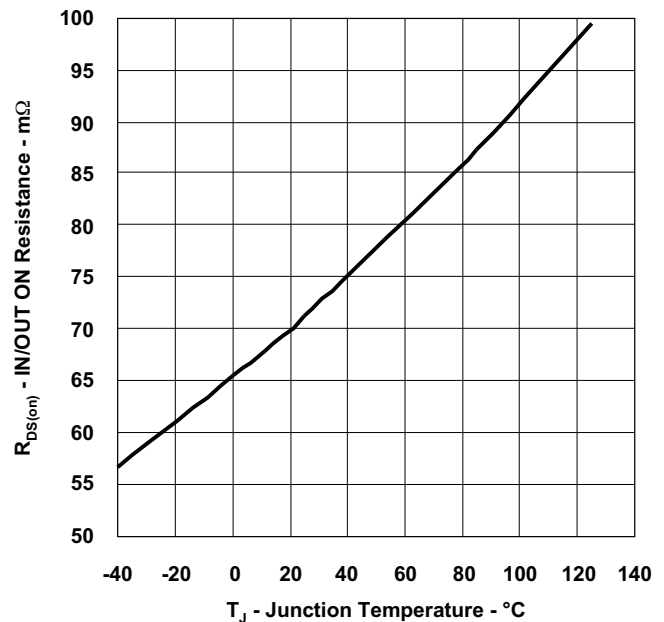


Figure 8.

TYPICAL CHARACTERISTICS (continued)

TURN-ON TIME, TURN-OFF TIME
vs
TEMPERATURE

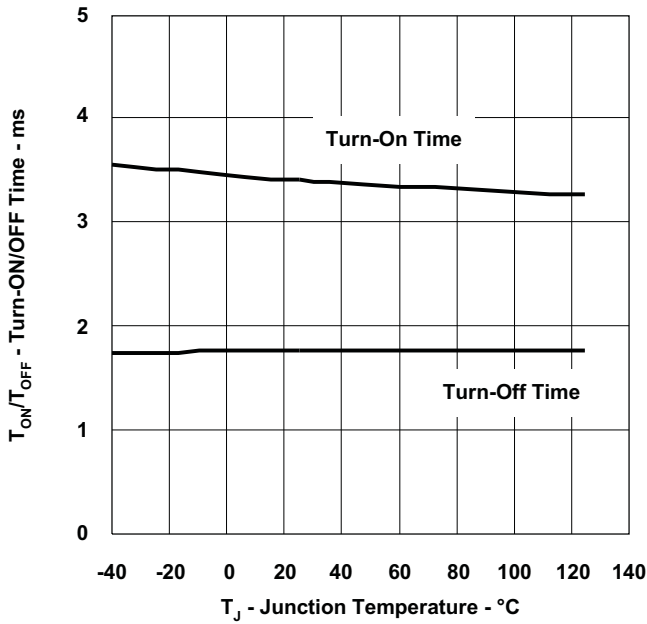


Figure 9.

DATA SWITCH ON-RESISTANCE
vs
TEMPERATURE

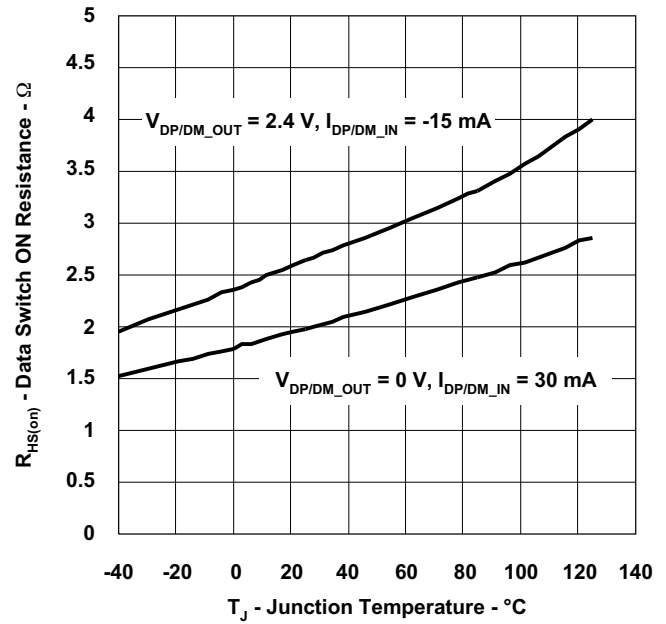


Figure 10.

FAULT OUTPUT VOLTAGE
vs
SINK CURRENT

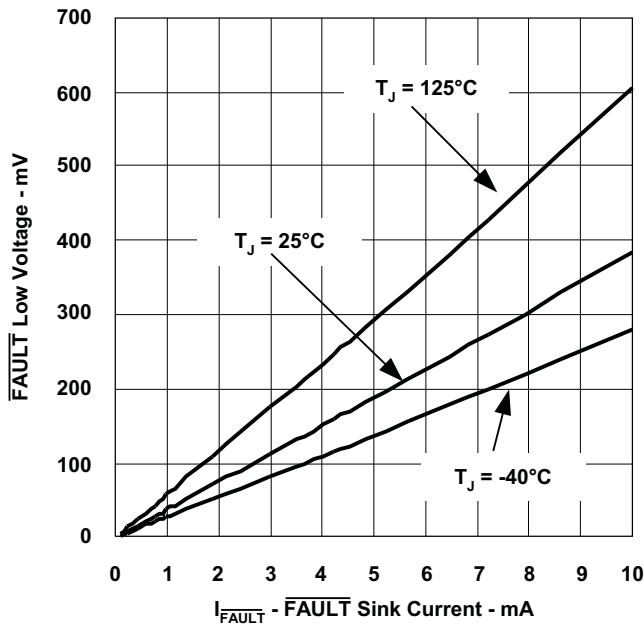


Figure 11.

EN THRESHOLD FALLING
vs
TEMPERATURE

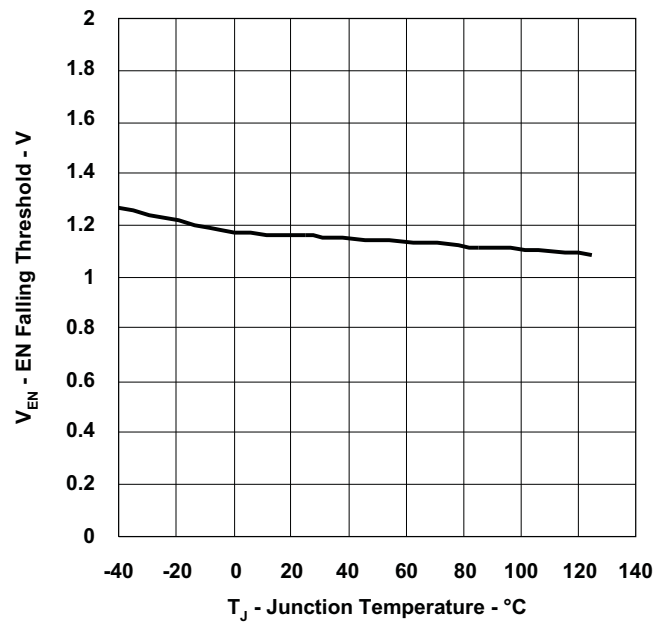


Figure 12.

TYPICAL CHARACTERISTICS (continued)

**CTL1-3 THRESHOLD FALLING
 vs
 TEMPERATURE**

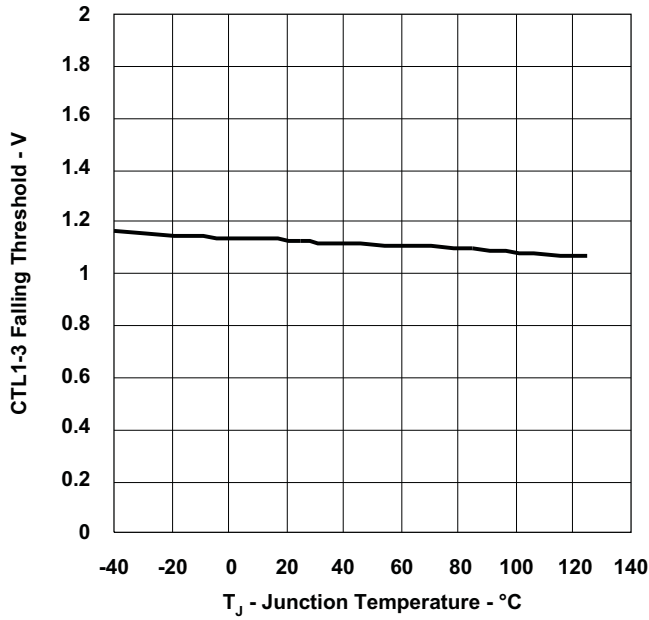


Figure 13.

**DIVIDER MODE DP/DM VOLTAGE
 vs
 TEMPERATURE**

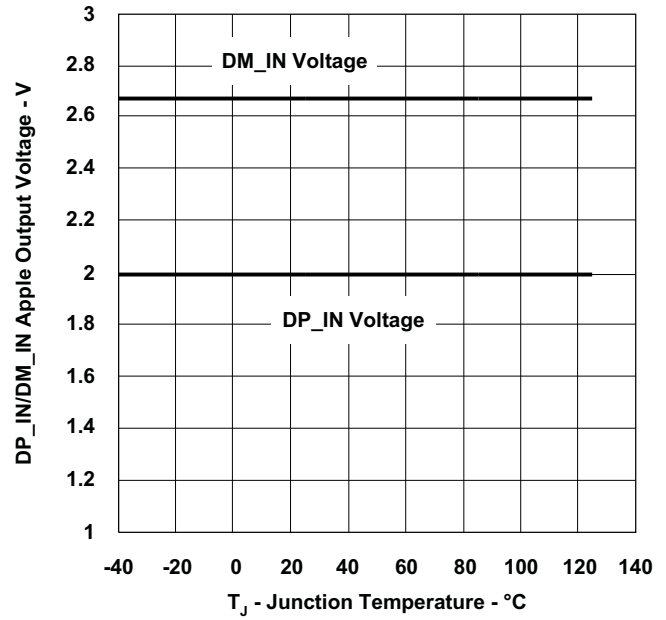


Figure 14.

**DATA TRANSMISSION CHARACTERISTICS
 vs
 FREQUENCY**

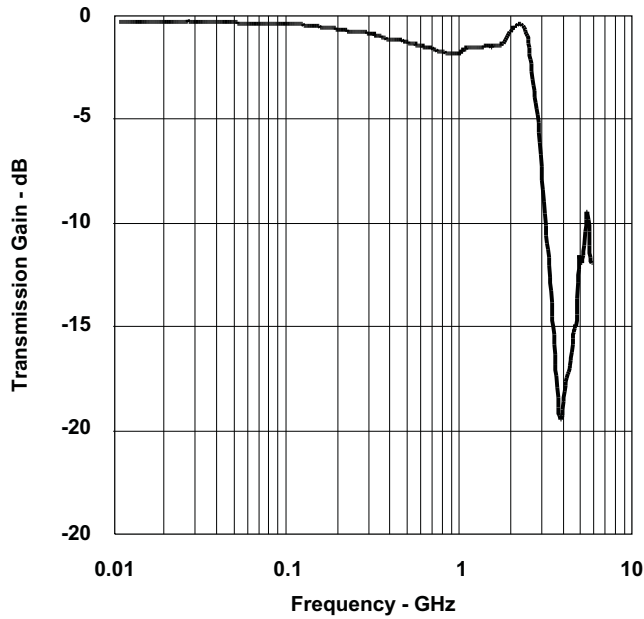


Figure 15.

**OFF STATE DATA SWITCH ISOLATION
 vs
 FREQUENCY**

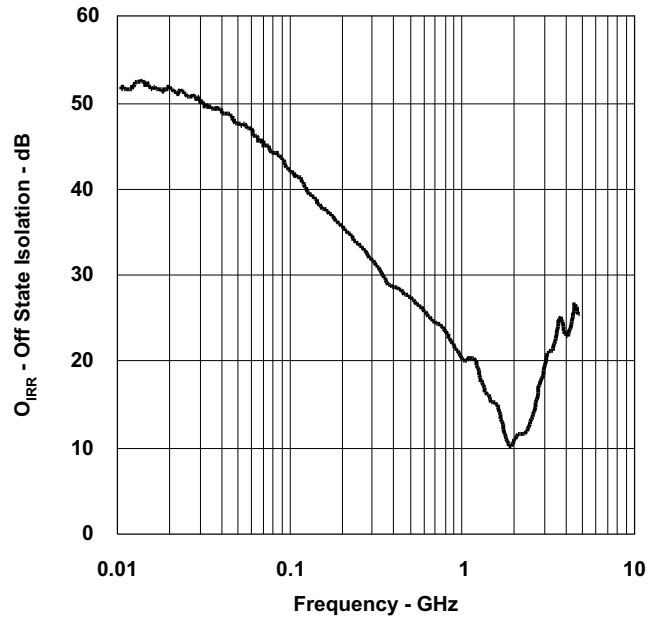
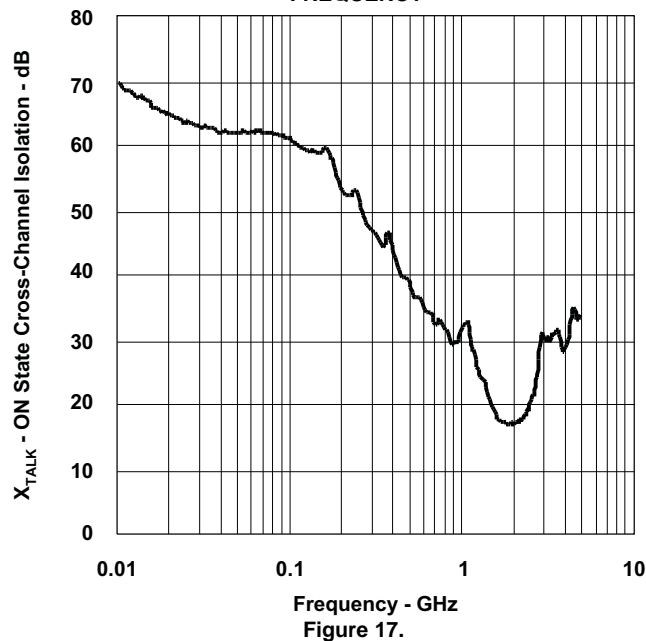
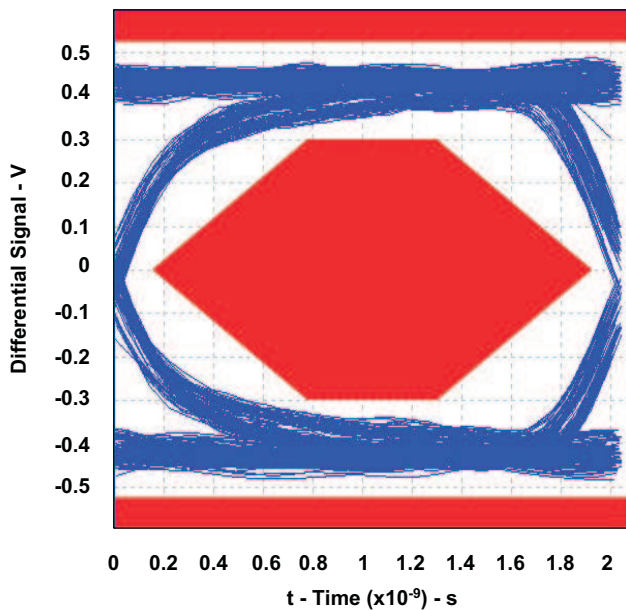


Figure 16.

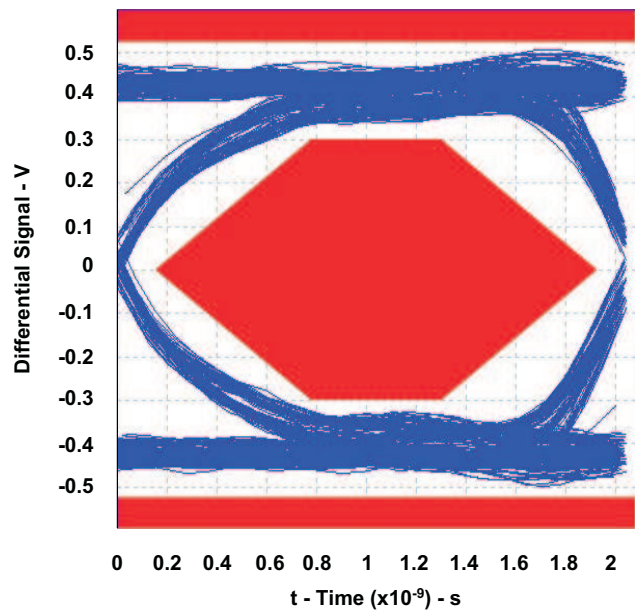
TYPICAL CHARACTERISTICS (continued)
ON STATE CROSS-CHANNEL ISOLATION
vs
FREQUENCY



EYE DIAGRAM USING USB COMPLIANCE TEST PATTERN
(with no switch)

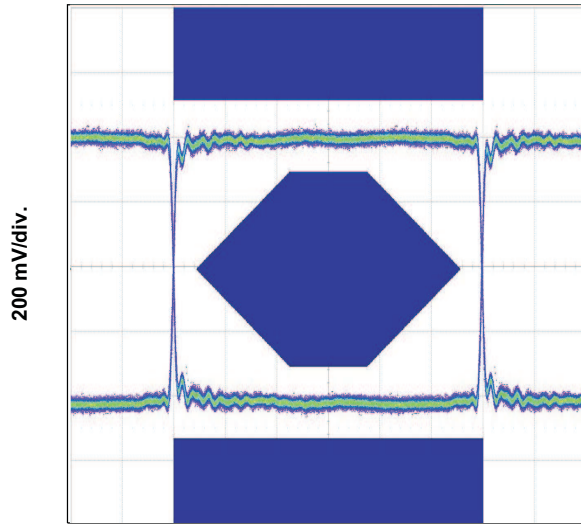


EYE DIAGRAM USING USB COMPLIANCE TEST PATTERN
(with data switch)



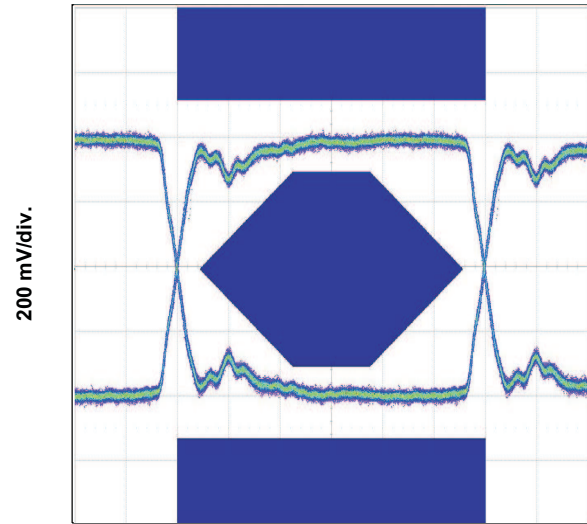
TYPICAL CHARACTERISTICS (continued)

**EYE DIAGRAM OF NEARLY IDEAL PULSE
 (with no switch)**



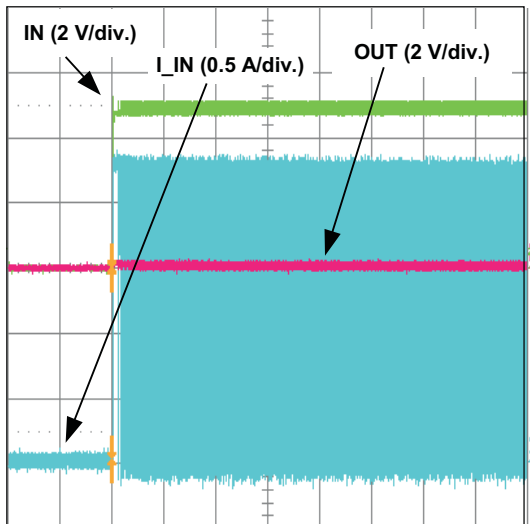
348ps/div.
 Figure 20.

**EYE DIAGRAM OF NEARLY IDEAL PULSE
 (with data switch)**



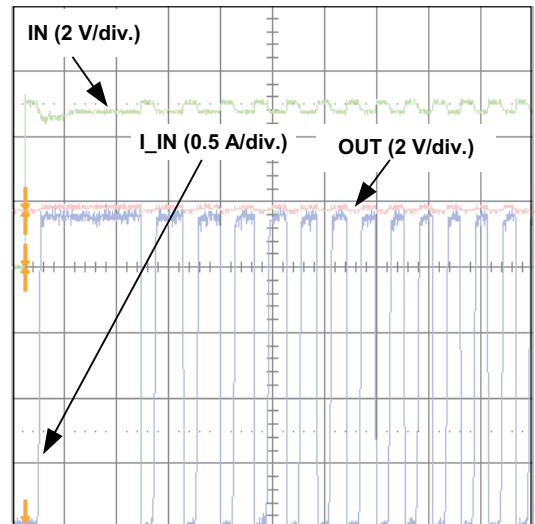
348ps/div.
 Figure 21.

TURN ON INTO A SHORT CIRCUIT



0.2 s/div
 Figure 22.

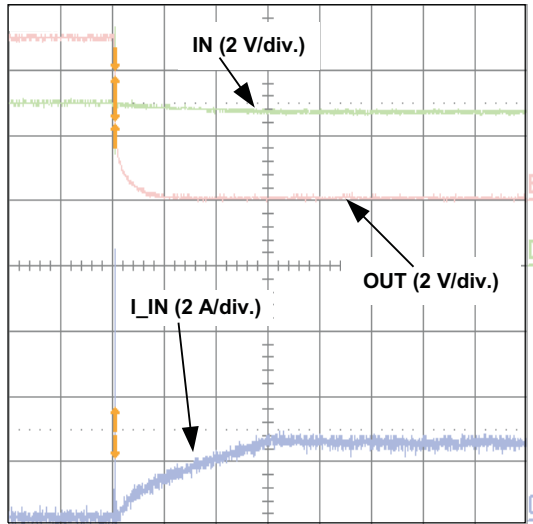
TURN ON INTO A SHORT CIRCUIT



10 ms/div
 Figure 23.

TYPICAL CHARACTERISTICS (continued)

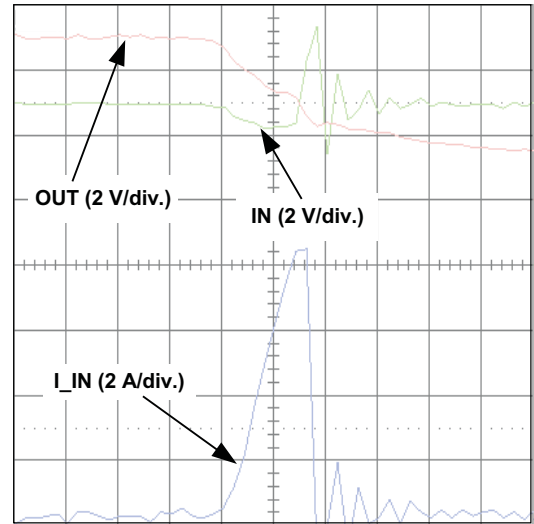
**RESPONSE TO A SHORT-CIRCUIT
(from no-load condition)**



100 μ s/div

Figure 24.

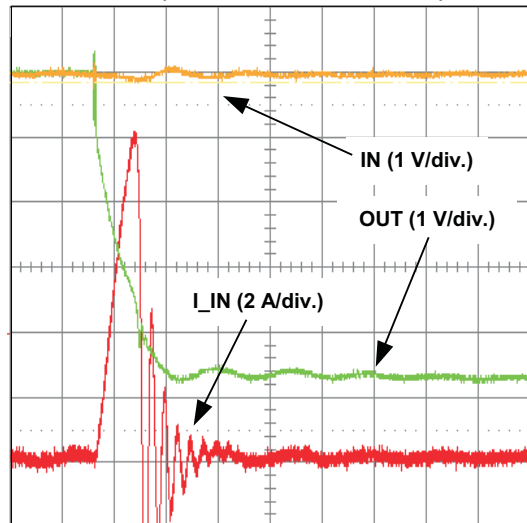
**RESPONSE TO A SHORT-CIRCUIT
(from no-load condition)**



1 μ s/div

Figure 25.

**RESPONSE TO A SHORT-CIRCUIT FROM NO LOAD CONDITION
(with TPS51117EVM source)**



2 μ s/div

Figure 26.

PARAMETER MEASUREMENT INFORMATION

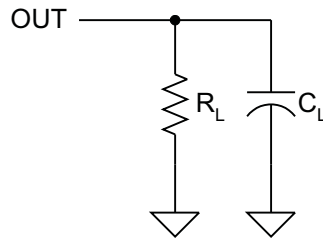


Figure 27. Test Circuit

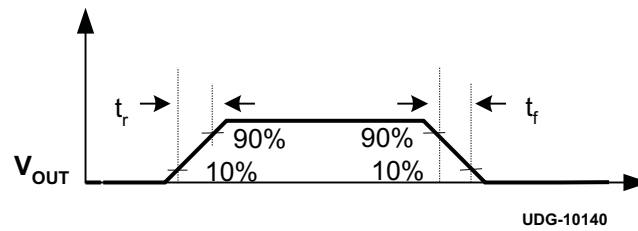


Figure 28. Voltage Waveform

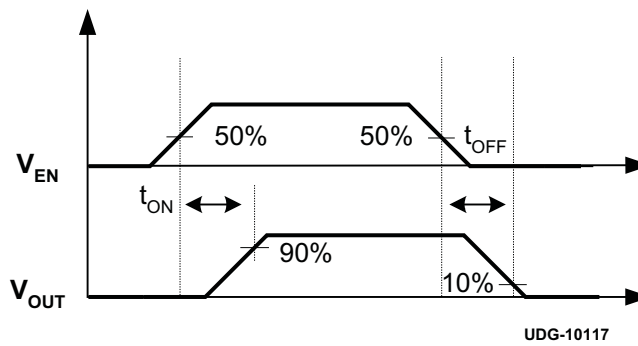


Figure 29. Voltage Waveforms

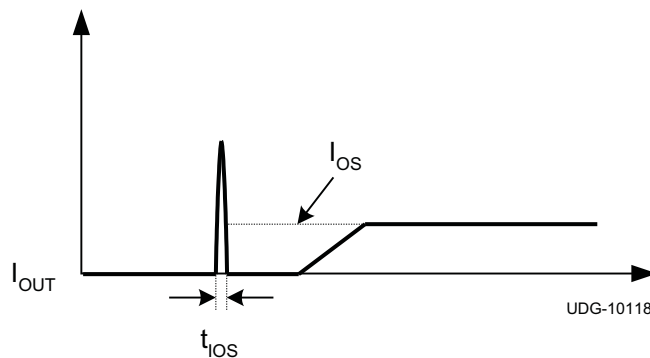


Figure 30. Response Time to Short-Circuit Waveform

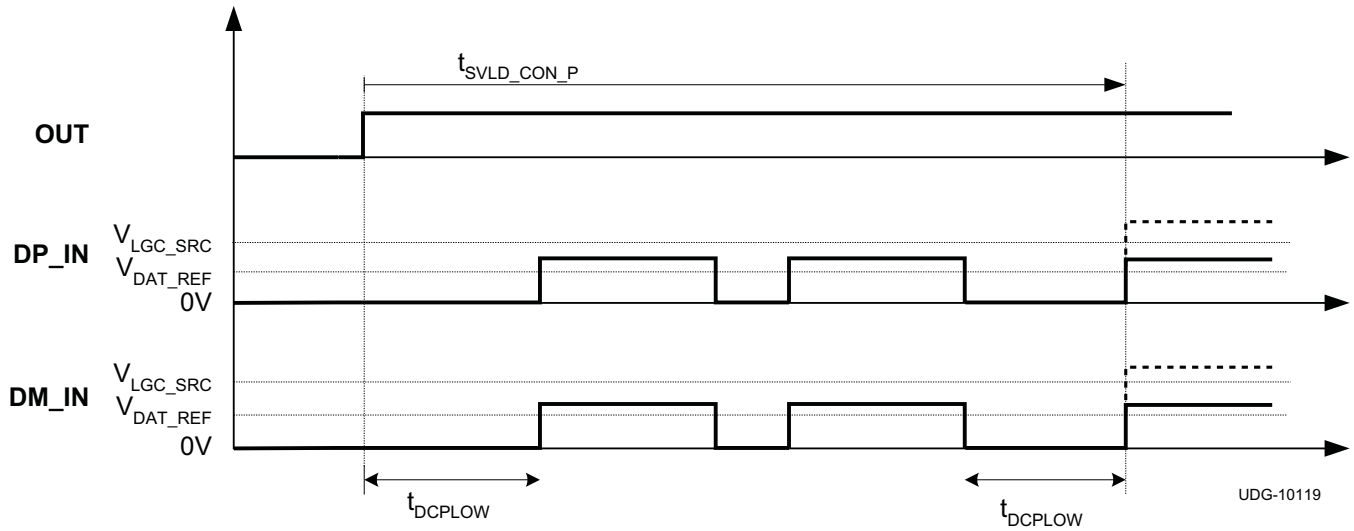


Figure 31. DCP BC1.2 Operation

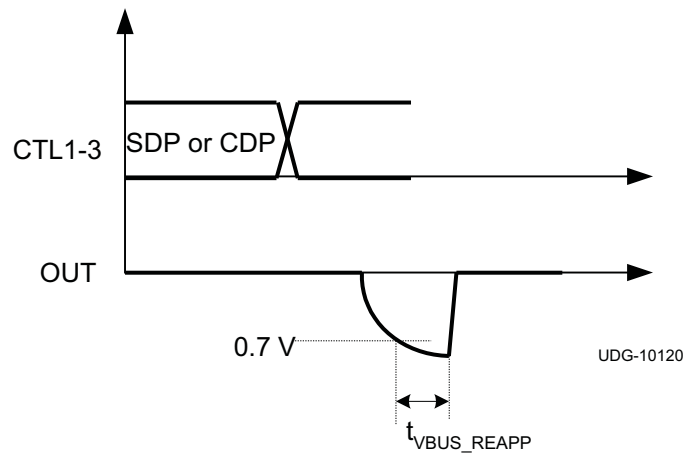


Figure 32. OUT Discharge During CTLx Lines Change

Divider Only Mode

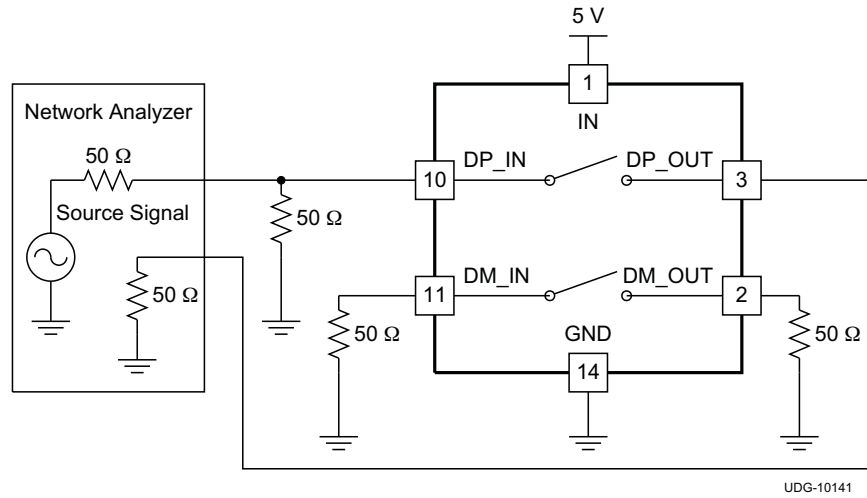


Figure 33. OFF State Isolation (O_{IRR})

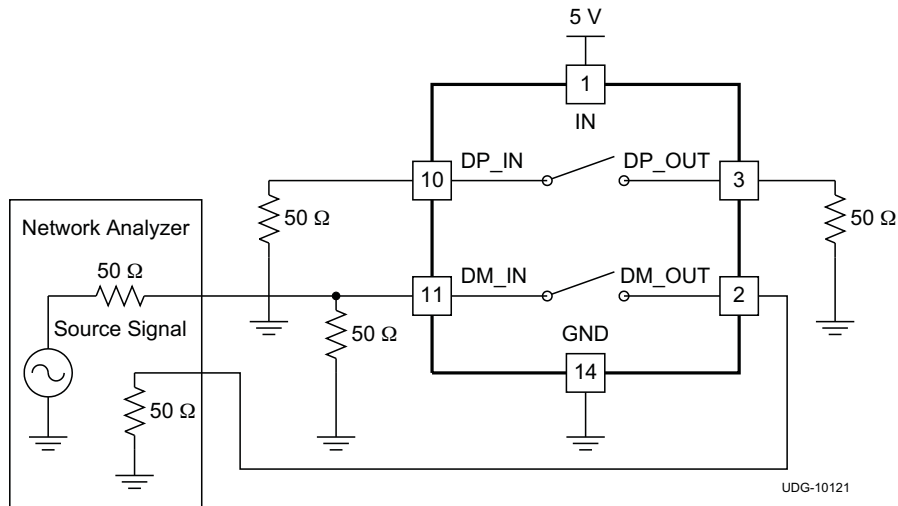


Figure 34. OFF State Isolation (O_{IRR})

Network Analyzer Setup

- Source signal = 600-mV peak-to-peak at 50- Ω load
- DC bias = 300 mV

SDP Mode

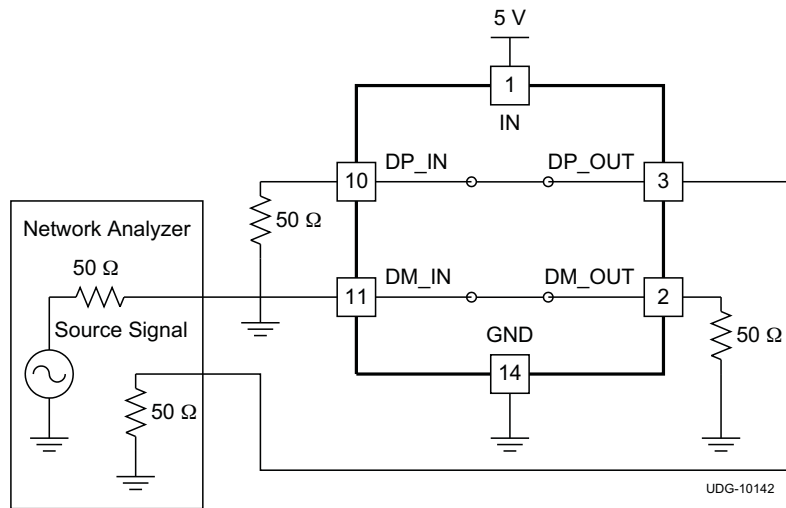


Figure 35. ON State Cross Channel Isolation (X_{TALK})

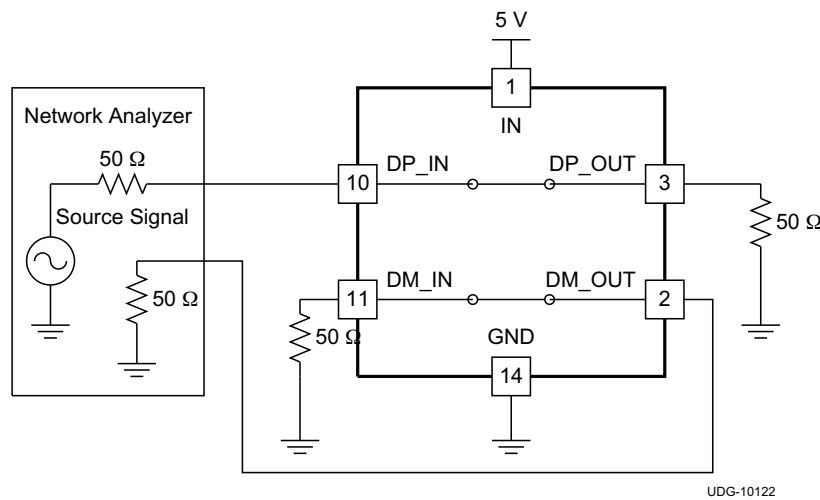


Figure 36. ON State Cross Channel Isolation (X_{TALK})

Network Analyzer Setup

- Source signal = 600-mV peak-to-peak at 50-Ω load
- DC bias = 300 mV

SDP Mode

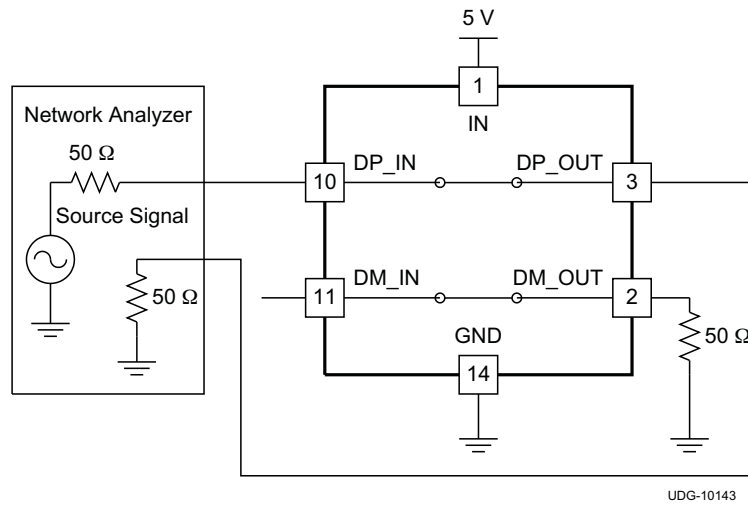


Figure 37. Bandwidth (BW)

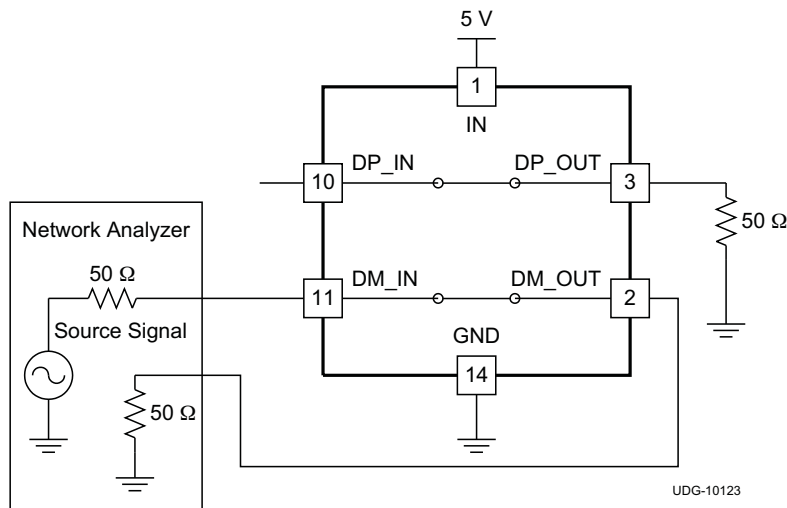


Figure 38. Bandwidth (BW)

Network Analyzer Setup

- Source signal = 600-mV peak-to-peak at 50-Ω load
- DC bias = 300 mV

SDP Mode

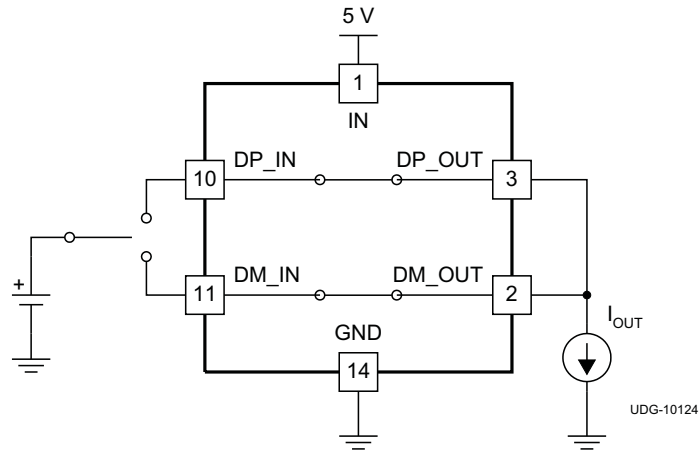


Figure 39. On Resistance DP/DM High-Speed Switch (R_{HS_ON})

$$R_{HS_ON} = \frac{V_{DP_IN} - V_{DP_OUT}}{I_{OUT}} \quad (1)$$

$$R_{HS_ON} = \frac{V_{DM_IN} - V_{DM_OUT}}{I_{OUT}} \quad (2)$$

GENERAL INFORMATION

Overview

The following overview references various industry standards. It is always recommended to consult the most up-to-date standard to ensure the most recent and accurate information.

Rechargeable portable equipment requires an external power source to charge its batteries. USB ports are a convenient location for charging because of an available 5-V power source. Universally accepted standards are required to make sure host and client-side devices operate together in a system to ensure power management requirements are met. Traditionally, USB host ports following the USB 2.0 specification must provide at least 500 mA to downstream client-side devices. Because multiple USB devices can be attached to a single USB port through a bus-powered hub, it is the responsibility of the client-side device to negotiate its power allotment from the host to ensure the total current draw does not exceed 500 mA. In general, each USB device is granted 100 mA and may request more current in 100 mA unit steps up to 500 mA. The host may grant or deny based on the available current.

Additionally, the success of USB has made the mini-USB connector a popular choice for wall adapter cables. This allows a portable device to charge from both a wall adapter and USB port with only one connector.

One common difficulty has resulted from this. As USB charging has gained popularity, the 500 mA minimum defined by USB 2.0 has become insufficient for many handset and personal media players which need a higher charging rate. On the other hand, wall adapters can provide much more current than 500 mA. Several new standards have been introduced defining protocol handshaking methods that allow host and client devices to acknowledge and draw additional current beyond the 500 mA minimum defined by USB 2.0 while still using a single micro-USB input connector.

The TPS2540, TPS2540A, TPS2541 and TPS2541A support three of the most common protocols:

- USB 2.0 Battery Charging Specification BC1.2
- Chinese Telecommunications Industry Standard YD/T 1591-2009
- Divider Mode

All three methods have similarities and differences, but the biggest commonality is that all three define three types of *charging ports* that provide charging current to client-side devices. These charging ports are defined as:

- Standard Downstream Port (USB 2.0) (SDP)
- Charging Downstream Port (CDP)
- Dedicated Charging Port (DCP)

BC1.2 defines a Charging Port as a downstream facing USB port that provides power for charging portable equipment.

The table below shows the differences between these ports according to BC1.2 .

Table 1. Operating Modes

| PORT TYPE | SUPPORTS USB 2.0 COMMUNICATION | MAXIMUM ALLOWABLE CURRENT DRAW BY PORTABLE EQUIPMENT (A) |
|---------------|--------------------------------|--|
| SDP (USB 2.0) | Yes | 0.5 |
| CDP | Yes | 1.5 |
| DCP | No | 1.5 |

BC1.2 defines the protocol necessary to allow portable equipment to determine what type of port it is connected to so that it can allot its maximum allowable current draw. The hand-shaking process has two steps. During step one, the primary detection, the portable equipment outputs a nominal 0.6-V output on its D+ line and reads the voltage input on its D- line. The portable device concludes it is connected to an SDP if the voltage is less than the nominal data detect voltage of 0.3 V. The portable device concludes that it is connected to a Charging Port if the D- voltage is greater than the nominal data detect voltage of 0.3 V and less than 0.8 V. The second step, the secondary detection, is necessary for portable equipment to determine between a CDP and a DCP. The portable device outputs a nominal 0.6 V output on its D- line and reads the voltage input on its D+ line. The portable device concludes it is connected to a CDP if the data line being read remains less than the nominal data detect voltage of 0.3 V. The portable device concludes it is connected to a DCP if the data line being read is greater than the nominal data detect voltage of 0.3V and less than 0.8 V.

Standard Downstream Port (SDP) USB 2.0

An SDP is a traditional USB port that follows USB 2.0 and supplies a minimum of 500 mA per port. USB 2.0 communications is supported, and the host controller must be active to allow charging.

Charging Downstream Port (CDP)

A CDP is a USB port that follows USB 2.0 BC1.2 and supplies a minimum of 1.5 A per port. It provides power and meets USB 2.0 requirements for device enumeration. USB 2.0 communications is supported, and the host controller must be active to allow charging. What separates a CDP from an SDP is the host-charge handshaking logic that identifies this port as a CDP. A CDP is identifiable by a compliant BC1.2 client device and allows for additional current draw by the client device.

The CDP hand-shaking process is two steps. During step one the portable equipment outputs a nominal 0.6 V output on its D+ line and reads the voltage input on its D- line. The portable device concludes it is connected to an SDP if the voltage is less than the nominal data detect voltage of 0.3 V. The portable device concludes that it is connected to a Charging Port if the D- voltage is greater than the nominal data detect voltage of 0.3V and less than 0.8 V.

The second step is necessary for portable equipment to determine between a CDP and a DCP. The portable device outputs a nominal 0.6 V output on its D- line and reads the voltage input on its D+ line. The portable device concludes it is connected to a CDP if the data line being read remains less than the nominal data detect voltage of 0.3 V. The portable device concludes it is connected to a DCP if the data line being read is greater than the nominal data detect voltage of 0.3V and less than 0.8 V.

Dedicated Charging Port (DCP)

A DCP is a special type of wall-adaptor used in charging applications that uses a micro-B connector to connect to portable devices. A DCP only provides power and cannot enumerate upstream facing portable equipment. It does not support USB 2.0 communications, but it does provide specific impedances on the data lines reserved for USB 2.0 so that it is identifiable as a dedicated charger.

The impedances presented on D+ and D- are different depending on the specific standard the dedicated charger is designed to. BC1.2 and the Chinese Telecommunications Industry Standard YD/T 1591-2009 define that the D+ and D- data lines should be shorted together with a maximum series impedance of 200 Ω .

On the other hand, with the divider mode, 2 V and 2.7 V are presented on D+ and on D-.

The TPS2540/40A/41/41A integrates an *auto-detect* feature that supports both DCP schemes. It starts in Divider Mode. If a BC1.2 -compliant device is attached, the TPS2540/40A/41/41A responds by discharging OUT, turning back ON the power switch and operating in BC1.2 DCP mode. It then stays in that mode until the device is unattached, in which case it goes back to Divider Mode.

High-Bandwidth Data Line Switch

The TPS2540/40A/41/41A passes the D+ and D- data lines through the device to enable monitoring and handshaking while supporting charging operation. A wide bandwidth signal switch is used, allowing data to pass through the device without corrupting signal integrity. The data line switches are turned on in any of CDP or SDP operating modes. The EN (or DSC if TPS2541/41A) input also needs to be at logic High for the data line switches to be enabled.

NOTE

1. While in CDP mode, the data switches are ON even while CDP handshaking is occurring.
 2. The data line switches are OFF if EN (or DSC) is low, or if in DCP mode (BC1.2, Divider mode or Auto-detect). They are not automatically turned off if the power switch (IN to OUT) is doing current limiting. With TPS2540/40A, the data line switches are also off when in "000" mode.
 3. The data switches are for USB 2.0 differential pair only. In the case of a USB 3.0 host, the super speed differential pairs must be routed directly to the USB connector without passing through the TPS2540/40A/41/41A.
-

Logic Control Modes

Both the TPS2540/40A and TPS2541/41A support the listed standards above for the SDP, CDP and DCP modes using the CTL1, CTL2, and CTL3 logic I/O control pins, although their truth tables are different as shown below. The different CTLx settings correspond to the different types of charge modes. Also, using the *Auto-Detect* Mode, the Divider Mode or BC1.2 / YD/T 1591-2009 can be automatically selected without external user interaction.

NOTE

With the TPS2540/40A, if the “000” mode is selected, the power switch will be turned off and an output discharge resistor will be connected, while the data line switches will be turned off.

Table 2. TPS2540/40A Control Truth Table

| CTL1 | CTL2 | CTL3 | MODE |
|------|------|------|---|
| 0 | 0 | 0 | OUT discharge, power switch OFF. |
| 0 | X | 1 | Dedicated charging port, auto-detect. |
| X | 1 | 0 | Standard downstream port, USB 2.0 Mode. |
| 1 | 0 | 0 | Dedicated charging port, BC1.2 only. |
| 1 | 0 | 1 | Dedicated charging port, Divider Mode only. |
| 1 | 1 | 1 | Charging downstream port, BC1.2. |

Table 3. TPS2541/41A Control Truth Table

| CTL1 | CTL2 | CTL3 | MODE |
|------|------|------|---|
| 0 | 0 | X | Dedicated charging port, auto-detect. |
| 0 | 1 | X | Dedicated charging port, BC1.2. |
| 1 | 0 | X | Dedicated charging port, Divider Mode only. |
| 1 | 1 | 0 | Standard downstream port, USB 2.0 Mode. |
| 1 | 1 | 1 | Charging downstream port, BC1.2. |

Output Discharge

To allow a charging port to renegotiate current with a portable device, TPS2540/40A/41/41A uses the VBUS discharge function. It proceeds by turning off the power switch while discharging OUT, then turning back ON the power switch to reassert the OUT voltage.

This discharge function is automatically applied when a change at the CTLx lines results in any of the following mode transitions.

- Any transition to and from CDP
- Any transition to and from SDP

In addition to this, a direct discharge control, DSC, is available with the TPS2541/41A, while with the TPS2540/40A, a discharge can be achieved using the mode “000”.

Overcurrent Protection

When an over-current condition is detected, the device maintains a constant output current and reduces the output voltage accordingly. Two possible overload conditions can occur. In the first condition, the output has been shorted before the device is enabled or before V_{IN} has been applied.

The TPS2540/40A/41/41A senses the short and immediately switches into a constant-current output. In the second condition, a short or an overload occurs while the device is enabled. At the instant the overload occurs, high currents may flow for nominally one to two microseconds before the current-limit circuit can react. The device operates in constant-current mode after the current-limit circuit has responded. Complete shutdown occurs only if the fault is present long enough to activate thermal limiting. The device will remain off until the junction temperature cools approximately 10°C and will then re-start. The device will continue to cycle on/off until the over-current condition is removed.

Current-Limit Thresholds

The TPS2540/40A/41/41A has two independent current-limit thresholds that are each programmed externally with a resistor. The following equation programs the typical current-limit threshold:

$$I_{\text{SHORT}} = \frac{48000}{R_{\text{ILIMx}}} \quad (3)$$

where I_{SHORT} is in mA and R_{ILIMx} is in k Ω . R_{ILIMx} corresponds to RILIM0 when ILIM_SEL is logic LO and to RILIM1 when ILIM_SEL is logic HI. The ILIM_SEL pin allows the system to digitally select between two current-limit thresholds, which is useful in end equipment that may require a lower setting when powered from batteries vs. wall adapters.

FAULT Response

The $\overline{\text{FAULT}}$ open-drain output is asserted (active low) during an over-temperature or current limit condition. The output remains asserted until the fault condition is removed. The TPS2540/40A/41/41A is designed to eliminate false $\overline{\text{FAULT}}$ reporting by using an internal deglitch circuit for current limit conditions without the need for external circuitry. This ensures that $\overline{\text{FAULT}}$ is not accidentally asserted due to normal operation such as starting into a heavy capacitive load. Over-temperature conditions are not deglitched and assert the $\overline{\text{FAULT}}$ signal immediately.

Undervoltage Lockout (UVLO)

The undervoltage lockout (UVLO) circuit disables the power switch until the input voltage reaches the UVLO turn-on threshold. Built-in hysteresis prevents unwanted oscillations on the output due to input voltage drop from large current surges.

Thermal Sense

The TPS2540/40A/41/41A protects itself with two independent thermal sensing circuits that monitor the operating temperature of the power distribution switch and disables operation if the temperature exceeds recommended operating conditions. The device operates in constant-current mode during an over-current condition, which increases the voltage drop across power switch. The power dissipation in the package is proportional to the voltage drop across the power switch, so the junction temperature rises during an over-current condition. The first thermal sensor turns off the power switch when the die temperature exceeds 135°C and the part is in current limit. The second thermal sensor turns off the power switch when the die temperature exceeds 155°C regardless of whether the power switch is in current limit. Hysteresis is built into both thermal sensors, and the switch turns on after the device has cooled by approximately 10°C. The switch continues to cycle off and on until the fault is removed. The open-drain false reporting output $\overline{\text{FAULT}}$ is asserted (active low) during an over-temperature shutdown condition.

APPLICATION INFORMATION

Programming the Current Limit Threshold

There are two overcurrent thresholds, which are user programmable via R_{ILIM0} and R_{ILIM1} . The TPS2540/40A/41/41A uses an internal regulation loop to provide a regulated voltage on the ILIM0 and ILIM1 pins. The current-limit thresholds are proportional to the current sourced out of ILIM0 and ILIM1. The recommended 1% resistor range for R_{ILIM0} and R_{ILIM1} are $16.9\text{ k}\Omega \leq R_{ILIM} \leq 750\text{ k}\Omega$ to ensure stability of the internal regulation loop, although not exceeding $210\text{ k}\Omega$ results in a better accuracy. Many applications require that the minimum current limit is above a certain current level or that the maximum current limit is below a certain current level, so it is important to consider the tolerance of the overcurrent threshold when selecting a value for R_{ILIMx} . The following equations calculate the resulting overcurrent threshold for a given external resistor value (R_{ILIMx}). The traces routing the R_{ILIMx} resistors to the TPS2540/40A/41/41A should be as short as possible to reduce parasitic effects on the current-limit accuracy.

The equations and the graph below can be used to estimate the minimum and maximum variation of the current limit threshold for a predefined resistor value. This variation is an approximation only and does not take into account the resistor tolerance or the variation of ILIM. For exact variation of ILIM, refer to the current limit section of the electrical specification table.

$$I_{\text{SHORT_min}} = \frac{48000}{R_{\text{ILIMx}}^{1.037}} \quad (4)$$

$$I_{\text{SHORT_max}} = \frac{48000}{R_{\text{ILIMx}}^{0.962}} \quad (5)$$

Current Limit Threshold
vs
Current Limit Resistance

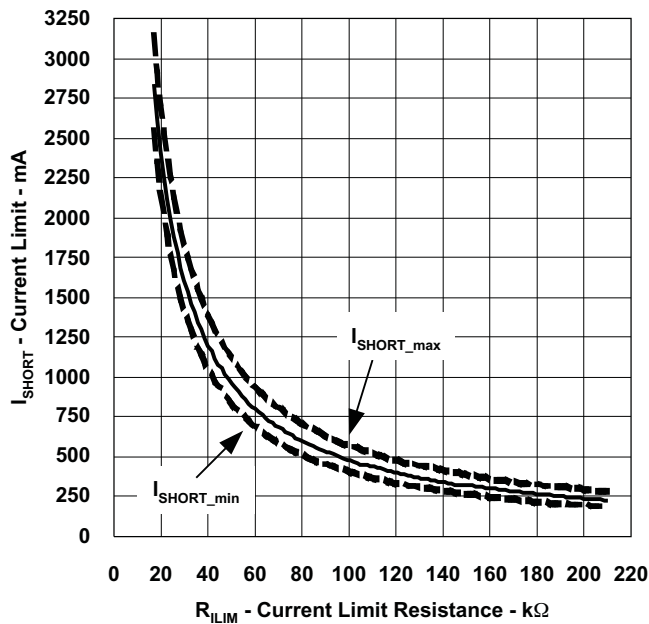


Figure 40.

Current Limit Threshold
vs
Current Limit Resistance

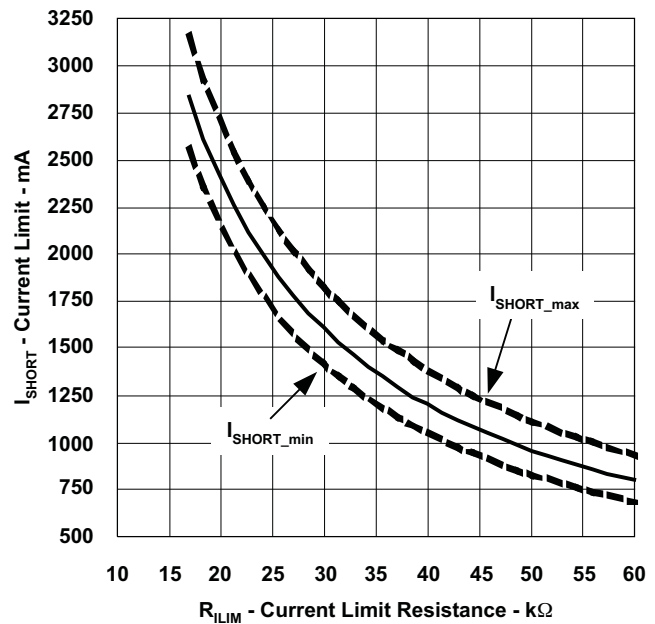


Figure 41.

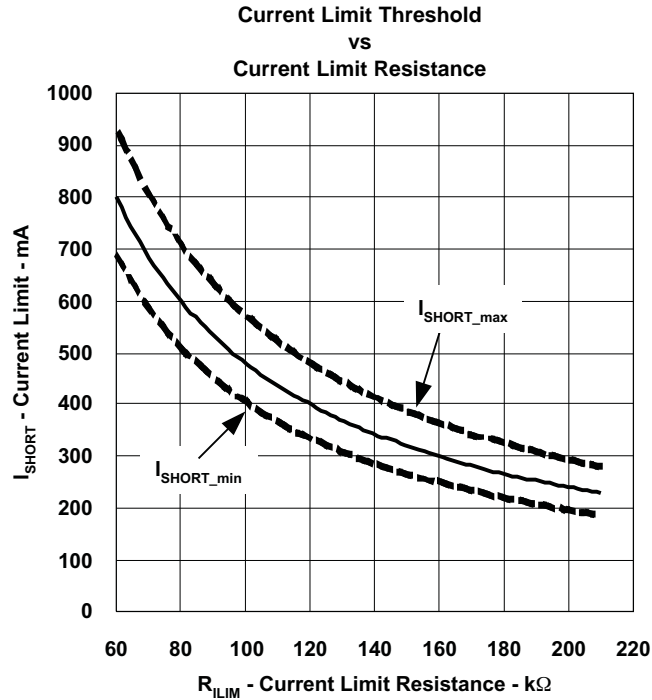


Figure 42.

Current Limit Setpoint Example

In the following example, choose the ILIM resistor to ensure that the TPS2540/40A/41/41A does not trip off under worst case conditions of ILIM and resistor tolerance (assume 1% resistor tolerance). For this example, $I_{OS_MIN} = 2500\text{ mA}$.

$$I_{OS_MIN} = \frac{48000}{R_{ILIMx}^{1.037}} = 2500\text{ mA} \quad (6)$$

$$R_{ILIMx} = \left[\frac{48000}{I_{OS_MIN}} \right]^{\frac{1}{1.037}} = \left[\frac{48000}{2500\text{ mA}} \right]^{\frac{1}{1.037}} = 17.28\text{ k}\Omega \quad (7)$$

Including resistor tolerance, target maximum:

$$R_{ILIMx} = \frac{17.28\text{ k}\Omega}{1.01} = 17.11\text{ k}\Omega \quad (8)$$

Choose:

$$R_{ILIMx} = 16.9\text{ k}\Omega \quad (9)$$

CTL Pin Configuration for Notebook States

The CTL pins provide the user with mode flexibility. Specifically, within a notebook, states S0, S3, S4, and S5 are important for controlling power consumption. For S0 the host controller is active, so either SDP or CDP should be selected. The notebook is responsible for sourcing at least 500mA when SDP is selected and at least 1500 mA when CDP is selected. Figure 43 illustrates the circuit connection for TPS2541/41A using one control signal (STATE). When STATE = logic 0, auto detect is selected (S3/S4/S5, 1.5 A). When STATE = logic 1, CDP mode is selected (S0, 1.5 A).

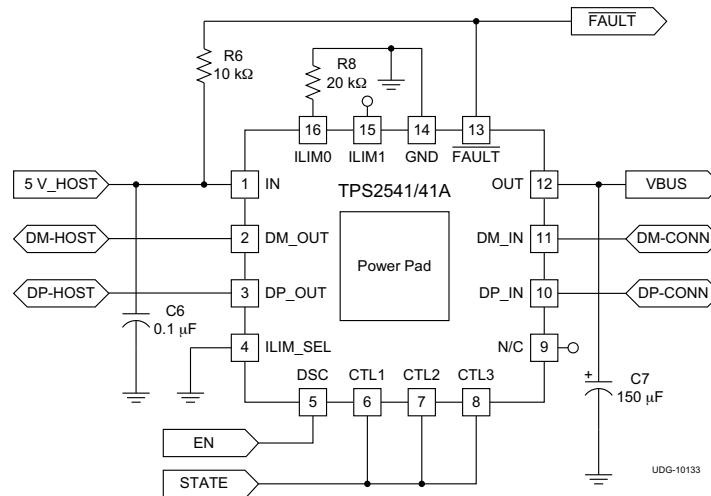


Figure 43. TPS2541/41A Application Using Single STATE Control Signal

Figure 44 illustrates the circuit connection for TPS2540/40A with STATE and ADAPTER control signals. If the adapter is present (ADAPTER = logic 1), the TPS2540/40A supports auto detect operation when STATE = logic 0 (S3/S4/S5, 1.5 A) and CDP operation when STATE = logic 1 (S0, 1.5 A). If the adapter is not present (ADAPTER = logic 0), the TPS2540/40A disables sleep charge when STATE = logic 0 (S3/S4/S5, power switch off) and SDP operation when STATE = logic 1 (S0, 0.5 A).

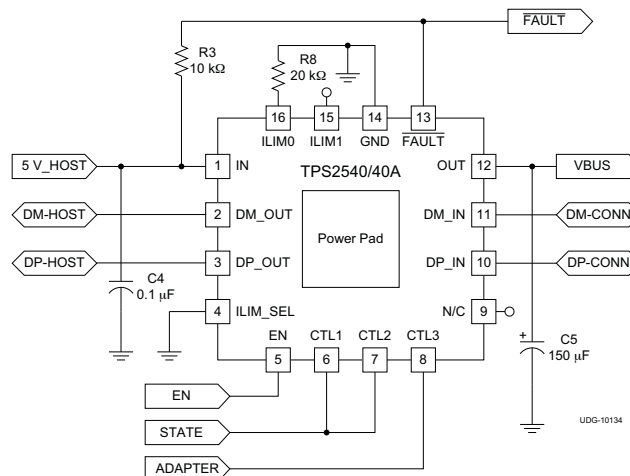


Figure 44. TPS2540/40A Application Using STATE and ADAPTER Control Signals

Layout Guidelines

TPS2540/40A/41/41A Placement: Place the TPS2540/40A/41/41A near the USB output connector and 150- μ F OUT pin filter capacitor. Connect the exposed Power PAD to the GND pin and to the system ground plane using a via array.

IN Pin Bypass Capacitance: Place the 0.1- μ F bypass capacitor near the IN pin and make the connection using a low inductance trace.

D+ and D- Traces: Route in and out traces as controlled impedance differential pairs per the USB specification and the Intel guideline for USB-2.0. Minimize the use of vias in the high speed data lines.

ESD

The use of a common mode choke in the upstream datapath can provide additional ESD protection from client side cable insertion transients. In addition, a low capacitance ESD protection array such as the TPD2E001 provides a robust solution. The [TPS2540EVM-623 \(SLVU401\)](#) provides a good example of routing and output datapath protection.

Using a system board, applying same design rules and protection devices as the TPS2540EVM-623, the TPS2540 has been tested to EN61000-4-2. The levels used were 8-kV contact discharge and 15-kV air discharge. Voltage transients were applied between D+ terminal and the earth ground, and between D- terminal and the earth ground, V- being connected to earth ground. Tests were performed while both powered and unpowered. No TPS2540 failures were observed and operation was continuous.

ILIM0 and ILIM1 Pin Connections

Current limit set point accuracy can be compromised by stray leakage from a higher voltage source to the ILIM0 or ILIM1 pins. Ensure that there is adequate spacing between IN pin copper/trace and ILIM0 pin trace to prevent contaminant buildup during the PCB assembly process. If a low current limit set point is required (RILIMx > 200 k Ω), use ILIM1 for this case as it is further away from the IN pin.

REVISION HISTORY

Changes from Original (October 2010) to Revision A Page

| | |
|---|----|
| • Added TPS2540A device to the datasheet. | 1 |
| • Deleted All (Draft) notations for BC1.2. | 1 |
| • Added Longer Detach Detection Time (TPS2540A) bullet. | 1 |
| • Changed Typical Application Diagram. | 1 |
| • Added TPS2540A description information. | 2 |
| • Added Low DP_IN period in DCP mode information for the TPS2541A device | 7 |
| • Changed pinout drawing. | 8 |
| • Changed TPS2540/40A Control Signal drawing. | 30 |

Changes from Revision A (April 2011) to Revision B Page

| | |
|--|---|
| • Added PRODUCT INFORMATION for device number TPS2540A. | 2 |
|--|---|

Changes from Revision B (July 2011) to Revision C Page

| | |
|--|---|
| • Added TPS2541A device to the datasheet. | 1 |
| • Added T _{DCFLOW} column for A and non-A versions | 2 |
| • Added PRODUCT INFORMATION for device number TPS2541A. | 2 |
| • Added Low DP_IN period in DCP mode, see Figure 32, note | 2 |

PACKAGING INFORMATION

| Orderable Device | Status ⁽¹⁾ | Package Type | Package Drawing | Pins | Package Qty | Eco Plan ⁽²⁾ | Lead/ Ball Finish | MSL Peak Temp ⁽³⁾ | Samples (Requires Login) |
|------------------|-----------------------|--------------|-----------------|------|-------------|-------------------------|----------------------|------------------------------|-----------------------------|
| TPS2540ARTER | ACTIVE | WQFN | RTE | 16 | 3000 | Green (RoHS & no Sb/Br) | CU NIPDAU | Level-2-260C-1 YEAR | |
| TPS2540ARTET | ACTIVE | WQFN | RTE | 16 | 250 | Green (RoHS & no Sb/Br) | CU NIPDAU | Level-2-260C-1 YEAR | |
| TPS2540RTER | ACTIVE | WQFN | RTE | 16 | 3000 | Green (RoHS & no Sb/Br) | CU NIPDAU | Level-2-260C-1 YEAR | |
| TPS2540RTET | ACTIVE | WQFN | RTE | 16 | 250 | Green (RoHS & no Sb/Br) | CU NIPDAU | Level-2-260C-1 YEAR | |
| TPS2541ARTER | ACTIVE | WQFN | RTE | 16 | 3000 | Green (RoHS & no Sb/Br) | CU NIPDAU | Level-2-260C-1 YEAR | |
| TPS2541ARTET | ACTIVE | WQFN | RTE | 16 | 250 | Green (RoHS & no Sb/Br) | CU NIPDAU | Level-2-260C-1 YEAR | |
| TPS2541RTER | ACTIVE | WQFN | RTE | 16 | 3000 | Green (RoHS & no Sb/Br) | CU NIPDAU | Level-2-260C-1 YEAR | |
| TPS2541RTET | ACTIVE | WQFN | RTE | 16 | 250 | Green (RoHS & no Sb/Br) | CU NIPDAU | Level-2-250C-1 YEAR | |

⁽¹⁾ The marketing status values are defined as follows:

ACTIVE: Product device recommended for new designs.

LIFEBUY: TI has announced that the device will be discontinued, and a lifetime-buy period is in effect.

NRND: Not recommended for new designs. Device is in production to support existing customers, but TI does not recommend using this part in a new design.

PREVIEW: Device has been announced but is not in production. Samples may or may not be available.

OBSOLETE: TI has discontinued the production of the device.

⁽²⁾ Eco Plan - The planned eco-friendly classification: Pb-Free (RoHS), Pb-Free (RoHS Exempt), or Green (RoHS & no Sb/Br) - please check <http://www.ti.com/productcontent> for the latest availability information and additional product content details.

TBD: The Pb-Free/Green conversion plan has not been defined.

Pb-Free (RoHS): TI's terms "Lead-Free" or "Pb-Free" mean semiconductor products that are compatible with the current RoHS requirements for all 6 substances, including the requirement that lead not exceed 0.1% by weight in homogeneous materials. Where designed to be soldered at high temperatures, TI Pb-Free products are suitable for use in specified lead-free processes.

Pb-Free (RoHS Exempt): This component has a RoHS exemption for either 1) lead-based flip-chip solder bumps used between the die and package, or 2) lead-based die adhesive used between the die and leadframe. The component is otherwise considered Pb-Free (RoHS compatible) as defined above.

Green (RoHS & no Sb/Br): TI defines "Green" to mean Pb-Free (RoHS compatible), and free of Bromine (Br) and Antimony (Sb) based flame retardants (Br or Sb do not exceed 0.1% by weight in homogeneous material)

⁽³⁾ MSL, Peak Temp. -- The Moisture Sensitivity Level rating according to the JEDEC industry standard classifications, and peak solder temperature.

Important Information and Disclaimer: The information provided on this page represents TI's knowledge and belief as of the date that it is provided. TI bases its knowledge and belief on information provided by third parties, and makes no representation or warranty as to the accuracy of such information. Efforts are underway to better integrate information from third parties. TI has taken and continues to take reasonable steps to provide representative and accurate information but may not have conducted destructive testing or chemical analysis on incoming materials and chemicals. TI and TI suppliers consider certain information to be proprietary, and thus CAS numbers and other limited information may not be available for release.

In no event shall TI's liability arising out of such information exceed the total purchase price of the TI part(s) at issue in this document sold by TI to Customer on an annual basis.

TAPE AND REEL INFORMATION
REEL DIMENSIONS

TAPE DIMENSIONS


| | |
|----|---|
| A0 | Dimension designed to accommodate the component width |
| B0 | Dimension designed to accommodate the component length |
| K0 | Dimension designed to accommodate the component thickness |
| W | Overall width of the carrier tape |
| P1 | Pitch between successive cavity centers |

TAPE AND REEL INFORMATION

*All dimensions are nominal

| Device | Package Type | Package Drawing | Pins | SPQ | Reel Diameter (mm) | Reel Width W1 (mm) | A0 (mm) | B0 (mm) | K0 (mm) | P1 (mm) | W (mm) | Pin1 Quadrant |
|--------------|--------------|-----------------|------|------|--------------------|--------------------|---------|---------|---------|---------|--------|---------------|
| TPS2540ARTER | WQFN | RTE | 16 | 3000 | 330.0 | 12.4 | 3.3 | 3.3 | 1.1 | 8.0 | 12.0 | Q2 |
| TPS2540ARTET | WQFN | RTE | 16 | 250 | 180.0 | 12.4 | 3.3 | 3.3 | 1.1 | 8.0 | 12.0 | Q2 |
| TPS2540RTER | WQFN | RTE | 16 | 3000 | 330.0 | 12.4 | 3.3 | 3.3 | 1.1 | 8.0 | 12.0 | Q2 |
| TPS2540RTET | WQFN | RTE | 16 | 250 | 180.0 | 12.4 | 3.3 | 3.3 | 1.1 | 8.0 | 12.0 | Q2 |
| TPS2541ARTER | WQFN | RTE | 16 | 3000 | 330.0 | 12.4 | 3.3 | 3.3 | 1.1 | 8.0 | 12.0 | Q2 |
| TPS2541ARTET | WQFN | RTE | 16 | 250 | 180.0 | 12.4 | 3.3 | 3.3 | 1.1 | 8.0 | 12.0 | Q2 |
| TPS2541RTER | WQFN | RTE | 16 | 3000 | 330.0 | 12.4 | 3.3 | 3.3 | 1.1 | 8.0 | 12.0 | Q2 |
| TPS2541RTET | WQFN | RTE | 16 | 250 | 180.0 | 12.4 | 3.3 | 3.3 | 1.1 | 8.0 | 12.0 | Q2 |

TAPE AND REEL BOX DIMENSIONS

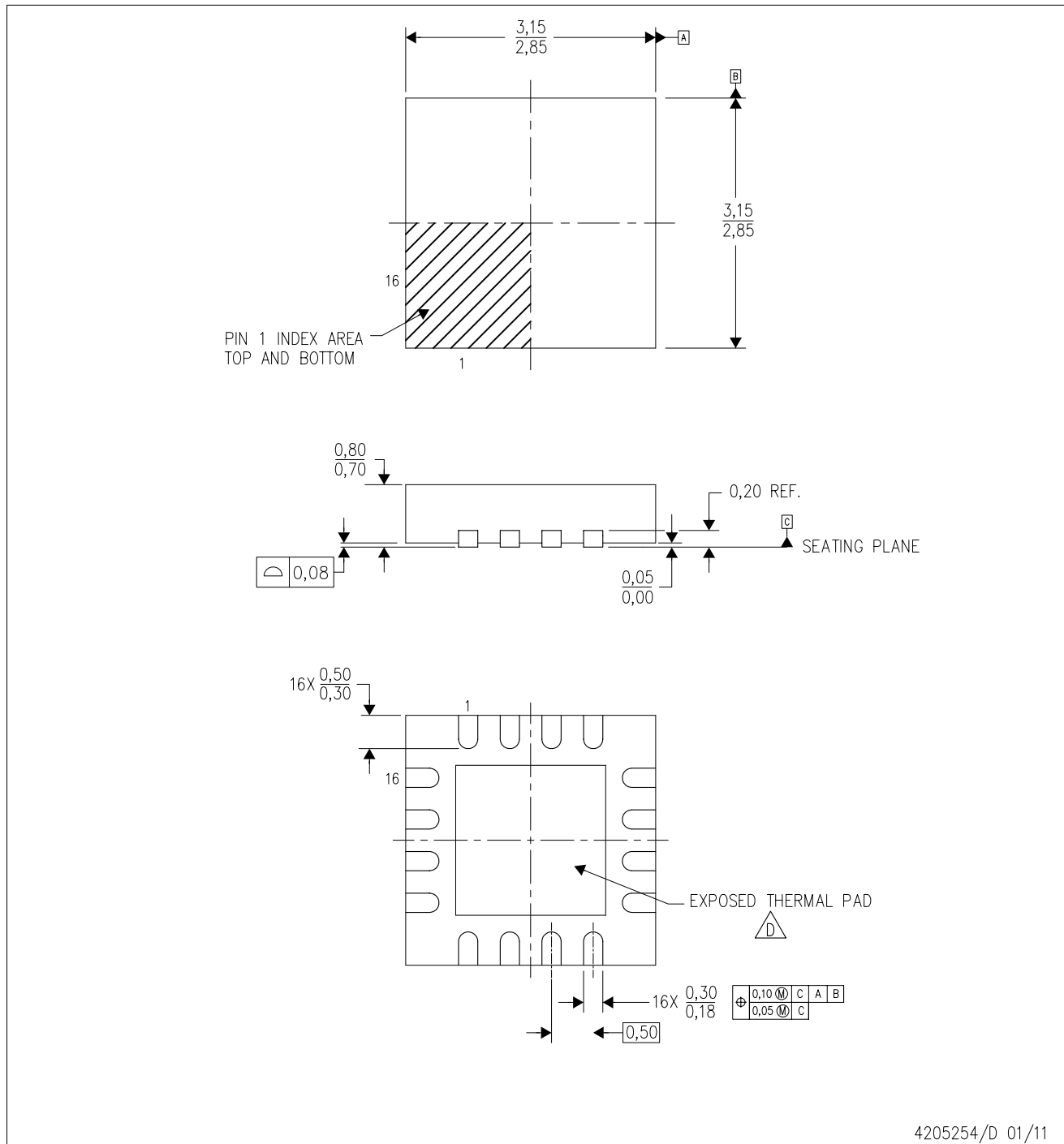

*All dimensions are nominal

| Device | Package Type | Package Drawing | Pins | SPQ | Length (mm) | Width (mm) | Height (mm) |
|--------------|--------------|-----------------|------|------|-------------|------------|-------------|
| TPS2540ARTER | WQFN | RTE | 16 | 3000 | 346.0 | 346.0 | 29.0 |
| TPS2540ARTET | WQFN | RTE | 16 | 250 | 210.0 | 185.0 | 35.0 |
| TPS2540RTER | WQFN | RTE | 16 | 3000 | 346.0 | 346.0 | 29.0 |
| TPS2540RTET | WQFN | RTE | 16 | 250 | 210.0 | 185.0 | 35.0 |
| TPS2541ARTER | WQFN | RTE | 16 | 3000 | 346.0 | 346.0 | 29.0 |
| TPS2541ARTET | WQFN | RTE | 16 | 250 | 210.0 | 185.0 | 35.0 |
| TPS2541RTER | WQFN | RTE | 16 | 3000 | 346.0 | 346.0 | 29.0 |
| TPS2541RTET | WQFN | RTE | 16 | 250 | 210.0 | 185.0 | 35.0 |


MECHANICAL DATA

RTE (S-PWQFN-N16)

PLASTIC QUAD FLATPACK NO-LEAD



4205254/D 01/11

- NOTES:
- A. All linear dimensions are in millimeters. Dimensioning and tolerancing per ASME Y14.5M-1994.
 - B. This drawing is subject to change without notice.
 - C. Quad Flatpack, No-leads (QFN) package configuration.
 -  The package thermal pad must be soldered to the board for thermal and mechanical performance. See the Product Data Sheet for details regarding the exposed thermal pad dimensions.
 - E. Falls within JEDEC MO-220.

THERMAL PAD MECHANICAL DATA

RTE (S-PWQFN-N16)

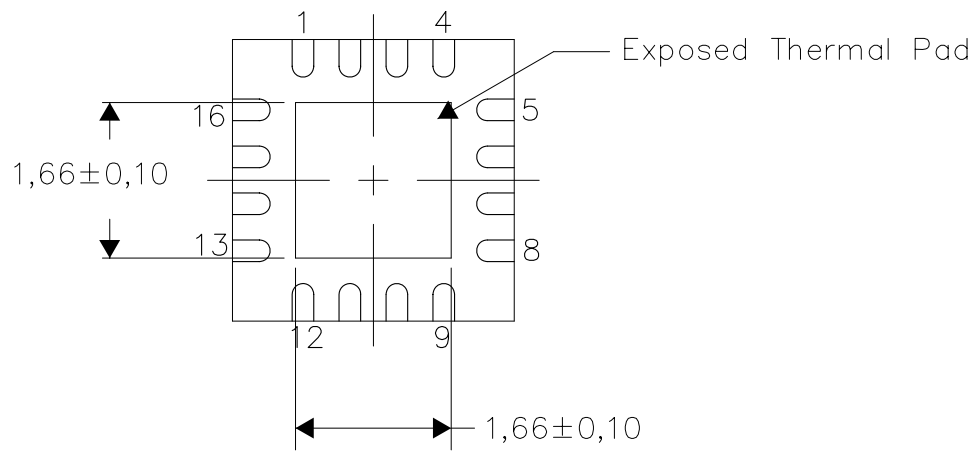
PLASTIC QUAD FLATPACK NO-LEAD

THERMAL INFORMATION

This package incorporates an exposed thermal pad that is designed to be attached directly to an external heatsink. The thermal pad must be soldered directly to the printed circuit board (PCB). After soldering, the PCB can be used as a heatsink. In addition, through the use of thermal vias, the thermal pad can be attached directly to the appropriate copper plane shown in the electrical schematic for the device, or alternatively, can be attached to a special heatsink structure designed into the PCB. This design optimizes the heat transfer from the integrated circuit (IC).

For information on the Quad Flatpack No-Lead (QFN) package and its advantages, refer to Application Report, QFN/SON PCB Attachment, Texas Instruments Literature No. SLUA271. This document is available at www.ti.com.

The exposed thermal pad dimensions for this package are shown in the following illustration.



Bottom View

Exposed Thermal Pad Dimensions

4206446-5/1 01/11

NOTE: A. All linear dimensions are in millimeters

IMPORTANT NOTICE

Texas Instruments Incorporated and its subsidiaries (TI) reserve the right to make corrections, modifications, enhancements, improvements, and other changes to its products and services at any time and to discontinue any product or service without notice. Customers should obtain the latest relevant information before placing orders and should verify that such information is current and complete. All products are sold subject to TI's terms and conditions of sale supplied at the time of order acknowledgment.

TI warrants performance of its hardware products to the specifications applicable at the time of sale in accordance with TI's standard warranty. Testing and other quality control techniques are used to the extent TI deems necessary to support this warranty. Except where mandated by government requirements, testing of all parameters of each product is not necessarily performed.

TI assumes no liability for applications assistance or customer product design. Customers are responsible for their products and applications using TI components. To minimize the risks associated with customer products and applications, customers should provide adequate design and operating safeguards.

TI does not warrant or represent that any license, either express or implied, is granted under any TI patent right, copyright, mask work right, or other TI intellectual property right relating to any combination, machine, or process in which TI products or services are used. Information published by TI regarding third-party products or services does not constitute a license from TI to use such products or services or a warranty or endorsement thereof. Use of such information may require a license from a third party under the patents or other intellectual property of the third party, or a license from TI under the patents or other intellectual property of TI.

Reproduction of TI information in TI data books or data sheets is permissible only if reproduction is without alteration and is accompanied by all associated warranties, conditions, limitations, and notices. Reproduction of this information with alteration is an unfair and deceptive business practice. TI is not responsible or liable for such altered documentation. Information of third parties may be subject to additional restrictions.

Resale of TI products or services with statements different from or beyond the parameters stated by TI for that product or service voids all express and any implied warranties for the associated TI product or service and is an unfair and deceptive business practice. TI is not responsible or liable for any such statements.

TI products are not authorized for use in safety-critical applications (such as life support) where a failure of the TI product would reasonably be expected to cause severe personal injury or death, unless officers of the parties have executed an agreement specifically governing such use. Buyers represent that they have all necessary expertise in the safety and regulatory ramifications of their applications, and acknowledge and agree that they are solely responsible for all legal, regulatory and safety-related requirements concerning their products and any use of TI products in such safety-critical applications, notwithstanding any applications-related information or support that may be provided by TI. Further, Buyers must fully indemnify TI and its representatives against any damages arising out of the use of TI products in such safety-critical applications.

TI products are neither designed nor intended for use in military/aerospace applications or environments unless the TI products are specifically designated by TI as military-grade or "enhanced plastic." Only products designated by TI as military-grade meet military specifications. Buyers acknowledge and agree that any such use of TI products which TI has not designated as military-grade is solely at the Buyer's risk, and that they are solely responsible for compliance with all legal and regulatory requirements in connection with such use.

TI products are neither designed nor intended for use in automotive applications or environments unless the specific TI products are designated by TI as compliant with ISO/TS 16949 requirements. Buyers acknowledge and agree that, if they use any non-designated products in automotive applications, TI will not be responsible for any failure to meet such requirements.

Following are URLs where you can obtain information on other Texas Instruments products and application solutions:

Products

| | |
|------------------------|--|
| Audio | www.ti.com/audio |
| Amplifiers | amplifier.ti.com |
| Data Converters | dataconverter.ti.com |
| DLP® Products | www.dlp.com |
| DSP | dsp.ti.com |
| Clocks and Timers | www.ti.com/clocks |
| Interface | interface.ti.com |
| Logic | logic.ti.com |
| Power Mgmt | power.ti.com |
| Microcontrollers | microcontroller.ti.com |
| RFID | www.ti-rfid.com |
| OMAP Mobile Processors | www.ti.com/omap |
| Wireless Connectivity | www.ti.com/wirelessconnectivity |

Applications

| | |
|-------------------------------|--|
| Automotive and Transportation | www.ti.com/automotive |
| Communications and Telecom | www.ti.com/communications |
| Computers and Peripherals | www.ti.com/computers |
| Consumer Electronics | www.ti.com/consumer-apps |
| Energy and Lighting | www.ti.com/energy |
| Industrial | www.ti.com/industrial |
| Medical | www.ti.com/medical |
| Security | www.ti.com/security |
| Space, Avionics and Defense | www.ti.com/space-avionics-defense |
| Video and Imaging | www.ti.com/video |

TI E2E Community Home Page

e2e.ti.com

Mailing Address: Texas Instruments, Post Office Box 655303, Dallas, Texas 75265
Copyright © 2012, Texas Instruments Incorporated